

ELVITA



CTC4860V

Quick start guide
Washer dryer

**Schnellstart-
Anleitung**
Waschmaschine/Trockner

Snabbstartsguide
Kombinerad tvätt/tork

Hurtigstartveiledning
Vaskemaskin /
tørketrommel

**Hurtig
startvejledning**
Kombineret vaskemaskine
og tørretumbler

Pikaopas
Pesukone-kuivausrumpu

Flýtleiðbeiningar
Þvottavél og þurrkari

Thank you

for your trust and the purchase of our product. This quick start guide is supplied to help you get started using this product. Make sure you have received an undamaged product. If you do find transport damage, please contact the seller from which you purchased the product, or the regional warehouse from which it was supplied.

Danke

für Ihr Vertrauen und den Kauf unseres Produktes. Diese Schnellstart-Anleitung soll Ihnen die ersten Schritte in die Nutzung dieses Produkts erleichtern. Vergewissern Sie sich, dass Sie ein unbeschädigtes Produkt erhalten haben. Sollten Sie einen Transportschaden feststellen, wenden Sie sich bitte an den Verkäufer, bei dem Sie das Produkt gekauft haben, oder an das regionale Lager, aus dem es geliefert wurde.

Tack

för ditt förtroende och för köpet av vår produkt. Denna snabbstartsguide medföljer för att hjälpa dig att börja använda produkten. Kontrollera att produkten du har tagit emot är oskadad. Om du upptäcker en transportskada, var vänlig kontakta återförsäljaren som du köpte produkten av, eller den lokala butiken som levererade den.

Takk

for at du valgte ett av våre produkter. Formålet med denne hurtigstartveiledningen er å hjelpe deg å komme i gang med produktet. Forsikre deg om at produktet du har mottatt, er uskadet. Hvis du oppdager en transportskade, kontakter du selgeren du kjøpte produktet av eller lageret som produktet ble levert fra.

Tak

fordi du har valgt at købe dette produkt. Formålet med denne hurtige startvejledning er at hjælpe dig i gang med at bruge produktet. Kontrollér, at apparatet ikke er beskadiget ved modtagelsen. Hvis du opdager en transportskade, skal du kontakte salgsstedet eller det lager, som apparatet er afsendt fra.

Kiitos

luottamuksestasi ja tuotteemme ostamisesta. Tämä pikaopas on tarkoitettu auttamaan laitteen käytössä alkuun pääsemisessä. Tarkista, ettei tuotteessa ole vaurioita. Jos havaitset kuljetusvaurioita, ota yhteyttä tuotteen myyjään tai paikalliseen myymälään, josta se toimitettiin.

Pakka þér fyrir

fyrir traust þitt og kaup á vöru okkar. Þessar flýtleiðbeiningar eru útvegaðar til að hjálpa þér að byrja að nota tækið. Gakktu úr skugga um að þú hafir fengið óskemmda vöru. Ef skemmdir vegna flutninga finnast skaltu hafa samband við söluaðilann sem þú keyptir vöruna af, eða vöruhúsið á svæðinu þaðan sem því var dreift.

This is a quick start guide. For your convenience you can find the user manual online, with full information about installation, usage, maintenance, and troubleshooting. Please go to elvita.se and use the search function and the product's model code to find the manual. To find the model code, see the instructions in section .

Dies ist eine Schnellstart-Anleitung. Sie können die Gebrauchsanweisung mit allen Informationen über Installation, Verwendung, Wartung und Fehlerbehebung online abrufen. Bitte gehen Sie auf elvita.se und verwenden Sie die Suchfunktion und den Modellcode des Produkts, um die Gebrauchsanweisung zu finden. Um den Modellcode zu ermitteln, siehe die Anweisungen in Abschnitt .

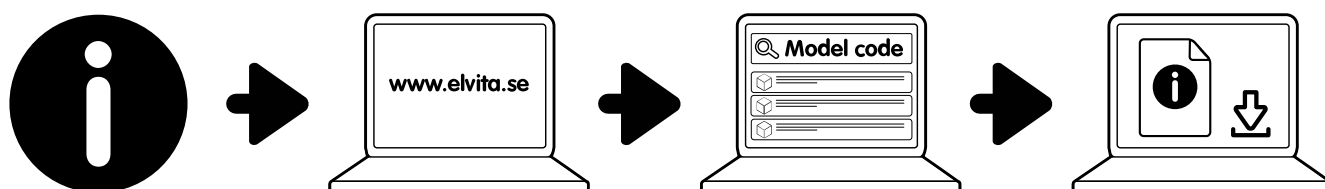
This is a quick start guide. Du hittar användarhandboken på webben, med full information om installation, användning, underhåll och felsökning. Gå till elvita.se och använd sökfunktionen och produktens modellkod för att hitta handboken. Hur du hittar modellkoden beskrivs i avsnitt .

Dette er en hurtigveiledning. Brukerhåndboken er tilgjengelig i nettversjon, med all informasjon om installasjon, bruk, vedlikehold og feilsøking. Gå til elvita.se, og bruk søkefunksjonen og produktets modellkode for å finne håndboken. Du finner modellkoden ved å følge anvisningene i del .

Dette er en hurtig startvejledning. For nemheds skyld kan du finde brugsanvisningen online med fuldstændige oplysninger om installation, brug, vedligeholdelse og fejlfinding. Gå til elvita.se, og brug søgefunktionen og produktets modelkode til at finde brugsanvisningen. Find modelkoden ved at se vejledningen i afsnit .

Tämä on pikaopas. Verkossa on kätevästi saatavilla käyttöohje, joka sisältää kattavat tiedot asentamisesta, käytöstä, huollosta ja vianmäärityksestä. Löydät käyttöohjeen menemällä osoitteeseen elvita.se ja etsimällä tuotteen mallikoodilla hakutoiminnosta. Löydät mallikoodin noudattamalla ohjeita kappale .

Þetta eru flýtleiðbeiningar. Þér til hægðarauka getur þú fundir notendahandbókina á netinu, með öllum upplýsingum um uppsetningu, notkun, viðhald og bilanagreiningu. Farðu á elvita.se og notaðu leitaráðgerðina og gerðarkóða vörunnar til að finna handbókina. Til að finna gerðarkóðann skal sjá leiðbeiningarnar í hluti .



CONTENTS/INHALT/INNEHÅLL/INNHOLD/INDHOLD/SISÄLLYSLUETTELO/ EFNISYFIRLIT

| | |
|----------------|----|
| ENGLISH | 4 |
| DEUTSCH | 15 |
| SVENSKA | 27 |
| NORSK | 37 |
| DANSK | 47 |
| SUOMI | 59 |
| ÍSLENSKA | 71 |

Contents

| | |
|---|-----------|
| READ THIS! | 5 |
| SAFETY | 6 |
| Admonitions | 6 |
| Intended use | 6 |
| Safety for children and people with disabilities..... | 6 |
| General safety..... | 7 |
| Safety during installation | 7 |
| Safety during operation | 8 |
| Safety during maintenance | 10 |
| Disposal..... | 10 |
| QUICK START | 11 |
| GETTING TO KNOW YOUR WASHER DRYER | 12 |
| Controls | 12 |
| Symbols on the display | 12 |
| Detergent dispenser..... | 12 |
| Washing programmes..... | 12 |
| Options, settings and functions..... | 13 |

READ THIS!

**WARNING!**

Read the safety information and the full instructions before installing or using this product.

Find the full instructions

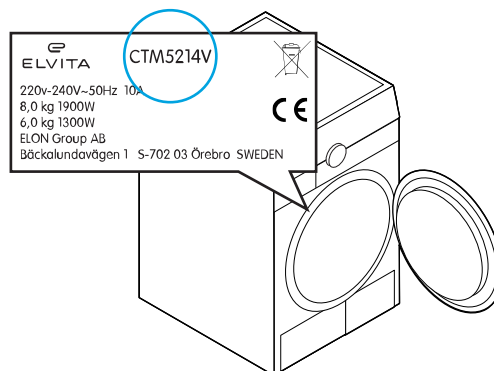
You will find the full and most recent user information for your product model on the web page www.elvita.se. This includes details about installation, usage, maintenance, and troubleshooting. You will need the model code to search for the information.

Find the model code

The model code is printed on a label on the product.

**NOTE!**

This product and label text are examples. Your product and text may have a different look and content.



SAFETY

Carefully read the instructions before you install and use the product. Save the instructions and keep them near the product for future reference. All kinds of warranties shall be invalid if these instructions are not followed.

Admonitions

**WARNING!**

Used when there is a risk for personal injury.

**CAUTION!**

Used when there is a risk for damage to the product.

**NOTE!**

General information that you should be aware of.



Helpful tips that you may find useful.

Intended use

This product is only intended for:

- Indoor use in a household or a household environment such as:
 - staff kitchen areas in shops, offices and other working environments;
 - family houses;
 - by clients in hotels, motels and other residential type environments;
 - bed and breakfast type environments.
- The washing of machine-washable clothes and textiles in a detergent solution.
- Washing using commercially available low foam detergents and care products which are suitable for use in a front-loaded washing machine or washer-dryer.

This product is not intended for integration into a cabinet.

Safety for children and people with disabilities

**WARNING!**

Only let the following groups use the product if they are supervised or if instructions are provided to them about how to use the product in a safe way. They must understand the hazards involved.

- Children. (Children younger than 8 years old must be continuously supervised.)
- People with reduced physical, sensory or mental capabilities.
- People with lack of experience and knowledge.

**WARNING!**

- Do not let children play with the product.
- Do not let children clean the product without supervision.

**WARNING!**

There is a risk that animals and children may climb into the product. Check inside before every operation.

**WARNING!**

The glass door may get very hot during operation. Keep children and pets well away from the product during operation.

General safety

**WARNING!**

- Do not wash or dry articles that have been cleaned in, washed in, soaked in, or dabbed with combustible or explosive substances, such as wax, oil, paint, gasoline, degreasers, dry cleaning solvents, kerosene, etc. This may result in fire or explosion.
- Rinse any such items of laundry thoroughly by hand before washing.

**WARNING!**

Risk of electric shock!

- If the supply cord is damaged, it must be replaced by the manufacturer, its service agent or similarly qualified persons in order to avoid a hazard.
- If the machine is damaged, it must not be operated unless repaired by the manufacturer, its service agent or similarly qualified persons.
- Before any cleaning or performing any maintenance of the product, unplug the product from the mains.
- Do not use a socket with a rated current less than that of the product.
- Never pull out the power plug from the socket with wet hands.

**CAUTION!**

- Do not climb up or sit on top of the product.
- Do not lean against the door of the product.
- Do not close the door with excessive force. If you find it difficult to close the door, please check that it is not obstructed by laundry.
- Do not wash rugs in the product.

**CAUTION!**

When moving the product:

- The transport bolts must be reinstalled in the machine by a suitably qualified person.
- Any water in the product must be drained out of the machine.
- Handle the product carefully. Never hold protruding parts of the machine while lifting.
- Do not use the door of the product to lift it during transport.
- This product is heavy. Transport with care.

Safety during installation

**WARNING!**

Before installing the product, check for any externally visible damage. Do not install or use a damaged product.

**WARNING!**

Do not install the machine

- in a bathroom in a situation where there is a risk of direct contact with water, for example, water jet from a shower, water from a bathtub, or in a very wet room or a room with high humidity;
- in a room with explosive gases or caustic gases; or
- behind a lockable door, a sliding door or a door with a hinge on the opposite side from the product.

**WARNING!**

Adequate ventilation has to be provided to avoid the back flow of gases into the room from appliances burning other fuels, including open fires.

**WARNING!**

- Remove all packaging and transport bolts before using the product. Otherwise, serious damage may result.
- Keep all packaging material well away from children. There is a risk of suffocation!

**WARNING!**

- Make sure that the product is connected to water and electrical supplies by a suitably qualified person in accordance with the manufacturer's instructions and local safety regulations.
- If the power cord is damaged, it must be replaced by the manufacturer, the manufacturer's service agent or similarly qualified persons in order to avoid a hazard.
- Make sure to connect the power plug to an earthed three-pole socket. Check carefully to ensure that your socket is properly and reliably earthed.
- Make sure that the power plug of the machine is accessible after installation and that the machine does not stand on the power cord.
- When levelling the machine, the lock nuts on all four feet must be screwed tightly against the housing.
- If applicable, make sure the ventilation openings in the base of the product are not obstructed by, for example, a carpet.
- Use the new hose sets supplied with the product. Do not reuse old hose sets.

**CAUTION!**

- The inlet hose must be connected to the cold water supply.
- Do not kink, crush, modify or sever the water inlet hose.
- Do not kink or stretch the drain hose.
- Position the drain hose properly, as it could lead to a water leak if it is damaged.
- If the drain hose is too long, do not force it into the machine as it will cause unusual noises.

**CAUTION!**

- Before the product is used the first time, it must be calibrated.
- Before washing laundry items the first time, a washing programme must be run to completion without any items in the drum.

Safety during operation

**WARNING!**

Before using the product, make sure it is correctly installed.

**WARNING!**

- Flammable, explosive or toxic solvents are forbidden. Gasoline and alcohol etc. must not be used as detergents. Only use detergents that are suitable for machine washing.

**WARNING!**

- Always unplug the product and turn off the water supply after use.

**WARNING!**

- Take care to avoid scalding when the hot water is being emptied from the product.
- If the product has a function that allows you to pause a washing programme and add more clothes, do not use this function when the water level is above the rim of the inner drum or the temperature setting is high.
- When the drum is still rotating and there is a large amount of hot water in the drum, it is unsafe to open the door and the door cannot be opened by force.
- Never refill with water by hand during washing.

**WARNING!**

Risk of explosion and fire!

- Remove all items from the pockets, especially lighters, matches, and similar objects, before drying clothes.
- If it cannot be avoided to dry items that have been soiled with substances such as cooking oil, vegetable oil, hair care products, acetone, alcohol, petrol, kerosene, spot removers, turpentine, waxes and wax removers, such items must be washed in hot water with an extra amount of detergent before drying. This will reduce, but not remove, the hazard.
- Hand-washed items must be thoroughly rinsed with water before they are dried.
- Do not use the product if it has been cleaned with industrial chemicals.
- Do not stop a drying cycle before the end of the cycle, unless all items are quickly removed and spread out so that the heat is dissipated.
- Make sure that the openings of the product not are obstructed.
- Do not restrict the floor clearance through deep pile carpets, strips of wood or similar. This might cause a heat build-up which would interfere with the operation of the product.
- Lint must not to be allowed to accumulate around the product.

**WARNING!**

Risk of explosion and fire! Do not dry the following in the product.

- Unwashed items.
- Items such as
 - foam rubber (latex foam),
 - shower caps
 - waterproof textiles,
 - rubber backed articles and
 - clothes or pillows fitted with foam rubber pads.
- Articles that have been cleaned in, washed in, soaked in, or dabbed with combustible or explosive substances such as
 - wax,
 - oil,
 - paint,
 - gasoline,
 - degreasers,
 - dry-cleaning solvents,
 - kerosene.

**CAUTION!**

- After a washing program is completed:
 - wait for two minutes before opening the door, and
 - check whether the water inside the drum has been drained before opening the door. Do not open the door if there is any water visible.

**CAUTION!**

- Sharp and rigid items, such as coins, brooches, nails, screws or stones etc., may cause serious damage to this machine. Make sure that all pockets are emptied.

Safety during maintenance

**WARNING!**

- Only authorised technicians may carry out repairs.
- If you experience problems with the product that the troubleshooting information in the complete manual cannot help you solve, turn off the product, unplug it from the power supply, turn off the water supply, and contact our support and service.

**WARNING!**

Turn off the power supply and the water supply to the product before performing any maintenance.

**WARNING!**

During operation, there may be hot water in the drain pump. Never remove the pump cover during a washing cycle, always wait until the product has finished the cycle and all water has been drained.

**CAUTION!**

- Do not use solvents, alcohol, products containing formic acid, abrasive cleaners, glass cleaners or all-purpose cleaners to clean this product. Plastic surfaces and other parts may become damaged.
- Wear gloves when cleaning the product.
- There is a risk for water leakage if the pump cover is not properly reinstalled after cleaning of the drain pump filter.

Disposal



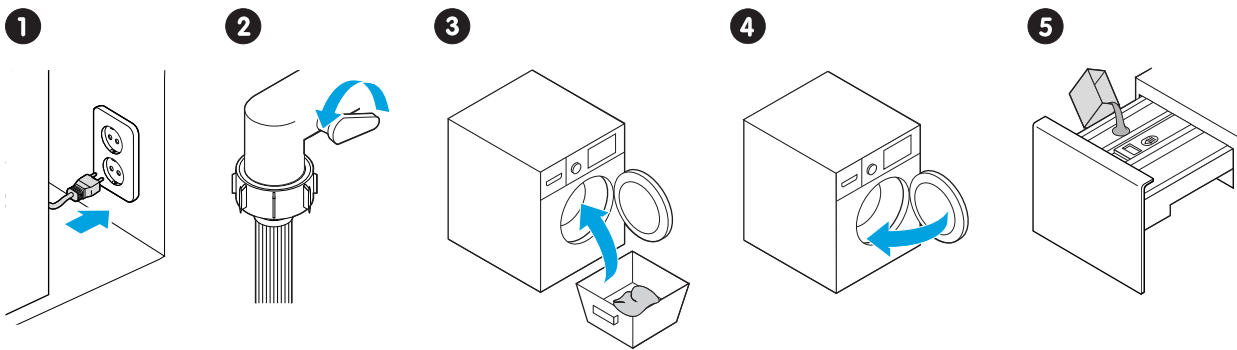
Dispose of packaging in an environmentally-friendly manner. Recycling packaging, while observing national and local regulations, can reduce the consumption of raw materials and the amount of waste in landfill sites.

This product is marked in compliance with European Directive 2012/19/EU, Waste Electrical and Electronic Equipment (WEEE). The symbol on the product or on its packaging indicates that this product should not be treated as household waste. Instead it shall be handed over to the applicable collection point for the recycling of electrical and electronic equipment.

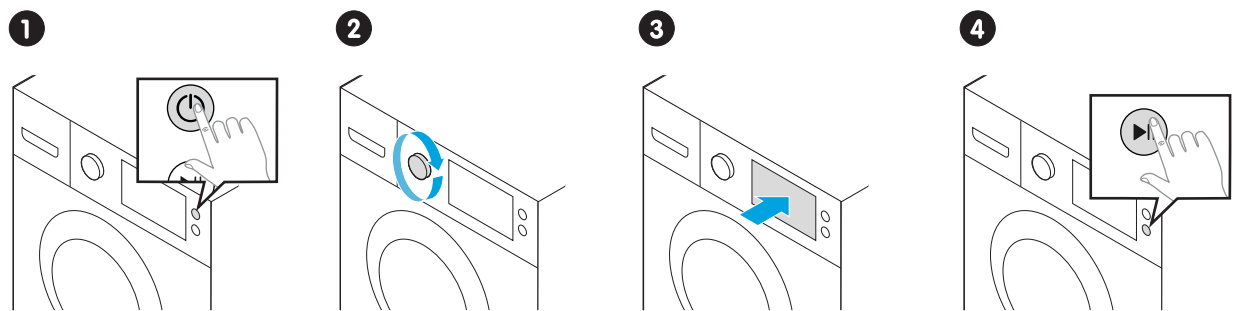
By ensuring this product is disposed of correctly, you will help prevent potential negative consequences for the environment and human health, which could otherwise be caused by inappropriate waste handling of this product. For more detailed information about recycling of this product, please contact the relevant municipal body in charge of waste management, your household waste disposal service or the store where you purchased the product.

QUICK START

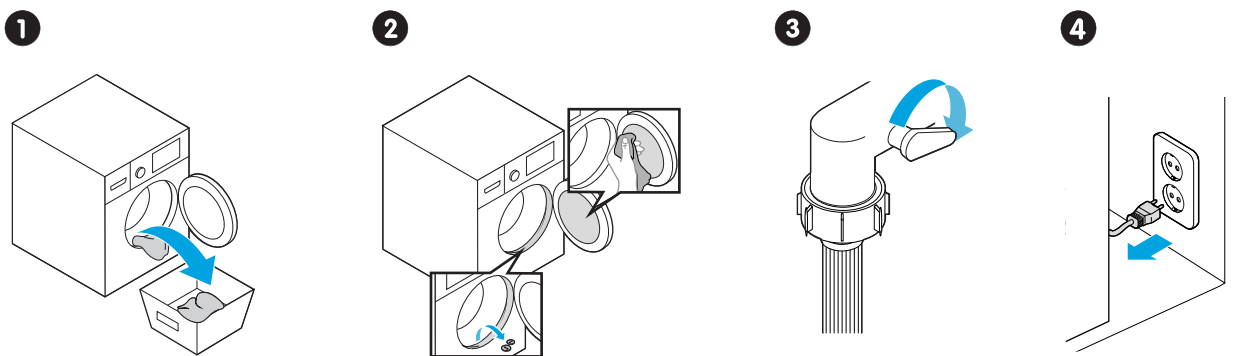
Before washing



Washing

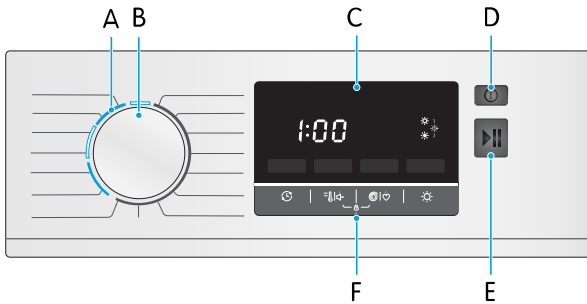


After washing



GETTING TO KNOW YOUR WASHER DRYER

Controls



- A. Wash and dry programmes
- B. Programme selector
- C. Display
- D. On/Off
- E. Start/Pause
- F. Options, settings and functions

Symbols on the display



Door lock



Child lock



Dryness level:
Standard dry

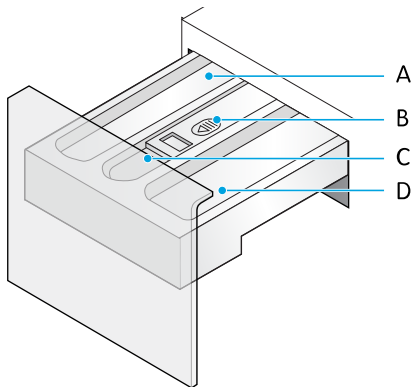


Dryness level: Extra dry



Dryness level: Timed
dry

Detergent dispenser



- A. Main wash detergent
- B. Detergent lock (push down to remove dispenser)
- C. Softener
- D. Pre-wash detergent



WARNING!

Flammable and explosive or toxic solvents are forbidden. Gasoline and alcohol etc. must not be used as detergents. Only use detergents that are suitable for machine washing.

Washing programmes

| Washing programme | Description | Max. load Washing | Max. load Drying |
|-------------------|--|----------------------|---------------------|
| 1h Wash&Dry | For a small number of synthetic clothes. | 1.0 kg | 1.0 kg |
| 20 °C | 20 °C as default temperature. Cold water can also be selected. | 4.0 kg | - |

| Washing programme | Description | Max. load Washing | Max. load Drying |
|-------------------|--|-------------------|------------------|
| Cotton | For hard-wearing, heat-resistant textiles made of cotton or linen. | 8.0 kg | 6.0 kg |
| Dry only | Dry laundry. Select from different dryness levels. | - | 6.0 kg |
| ECO 40-60 | Recommended for normally soiled cotton laundry. This programme is able to wash laundry declared to be washable at 40 °C or 60 °C in one go in the same cycle. | 8.0 kg | - |
| Intensive | The washing time is increased for better washing effect. | 8.0 kg | - |
| Jeans | Specially for jeans. | 8.0 kg | - |
| Mix | For a mixed load consisting of textiles made of cotton and synthetics. | 8.0 kg | 6.0 kg |
| Quick 15 min | Extra-quick programme. Suitable for small amounts of lightly soiled laundry. | 2.0 kg | 1.0 kg |
| Rinse & Spin | Extra rinsing and spinning. | 8.0 kg | - |
| Spin only | Extra spinning with selectable spin speed. | 8.0 kg | - |
| Sportswear | For washing active wear. | 4.0 kg | - |
| Synthetic | For washing synthetic items, such as shirts, coats and blended fabrics. When knitted garments are washed the amount of detergent should be reduced to avoid excessive foaming. | 4.0 kg | 4.0 kg |
| Wash and Dry | Recommended for normally soiled cotton laundry. Leaves the laundry dry enough to immediately be stored in a cupboard. | - | 6.0 kg |
| Wool | Hand or machine washable wool or wool-rich textiles. Gentle washing programme designed to prevent shrinkage. Includes longer periods without drum rotation. | 2.0 kg | - |

Options, settings and functions



Child lock

Prevents accidental use of the machine.



Delay

Delays the start of the washing programme by a specified amount of time. Maximum delay time is 24 hours.



Dryness level

Sets a dryness level. The amount of time required to reach the specified level will differ between programmes.



Reload

Add laundry during a wash.

**Spin speed, My cycle**

- Spin speed: Adjusts the spin speed.
- My cycle: Saves your favourite combination of washing programme and options.

**Temperature, Mute / unmute**

- Temperature: Adjusts the temperature.
- Mute / unmute: Mutes and unmutes the acoustic signal.

Inhalt

| | |
|--|-----------|
| BITTE LESEN! | 16 |
| SICHERHEIT | 17 |
| Mahnungen..... | 17 |
| Verwendungszweck..... | 17 |
| Sicherheit für Kinder und Menschen mit Behinderungen..... | 17 |
| Allgemeine Sicherheit | 18 |
| Sicherheit bei der Installation..... | 18 |
| Sicherheit während des Betriebs | 19 |
| Sicherheit bei der Wartung | 21 |
| Entsorgung | 21 |
| SCHNELLSTART | 22 |
| LERNEN SIE IHRE WASCHMASCHINE/TROCKNER-KOMBINATION KENNEN | 23 |
| Steuerung..... | 23 |
| Symbole auf der Anzeige..... | 23 |
| Waschmittelspender..... | 23 |
| Waschprogramme..... | 23 |
| Optionen, Einstellungen und Funktionen | 24 |

BITTE LESEN!



WARNUNG!

Lesen Sie die Sicherheitshinweise und die vollständige Gebrauchsanweisung, bevor Sie dieses Produkt installieren oder benutzen.

Hier finden Sie die vollständige Gebrauchsanweisung

Die vollständigen und aktuellen Benutzerinformationen für Ihr Produktmodell finden Sie auf der Webseite www.elvita.se. Dazu gehören Einzelheiten zur Installation, Verwendung, Wartung und Fehlersuche. Sie benötigen den Modellcode, um die Informationen zu suchen.

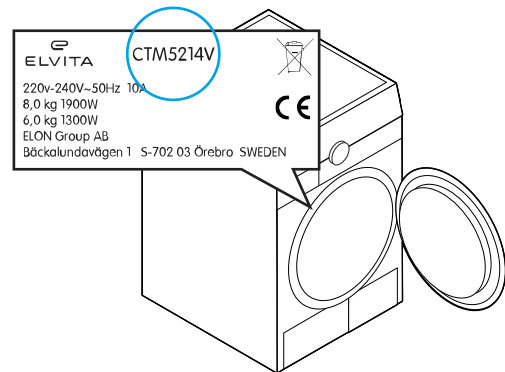
Den Modellcode finden

Der Modellcode steht auf einem Etikett an dem Produkt.



HINWEIS!

Dieses Produkt und der Etikettentext sind Beispiele. Ihr Produkt und Ihr Text können ein anderes Aussehen und einen anderen Inhalt haben.



SICHERHEIT

Lesen Sie die Anweisungen sorgfältig durch, bevor Sie das Produkt installieren und verwenden. Bewahren Sie die Anleitung auf und bewahren Sie sie in der Nähe des Produkts auf. Bei Nichteinhaltung dieser Anweisungen erlischt jede Art von Garantie.

Mahnungen

**WARNUNG!**

Wird verwendet, wenn die Gefahr von Personenschäden besteht.

**VORSICHT!**

Wird verwendet, wenn die Gefahr einer Beschädigung des Produkts besteht.

**HINWEIS!**

Allgemeine Informationen, die Sie beachten sollten.



Hilfreiche Tipps, die Sie vielleicht nützlich finden.

Verwendungszweck

Dieses Produkt ist nur für folgende Zwecke bestimmt:

- Verwendung in Innenräumen in einem Haushalt oder einer häuslichen Umgebung wie z. B.:
 - Küchenbereiche für Mitarbeiter in Geschäften, Büros und anderen Arbeitsumgebungen;
 - Einfamilienhäuser;
 - Kunden in Hotels, Motels und anderen Wohnumgebungen;
 - Bed & Breakfast-ähnliche Umgebungen.
- Das Waschen von maschinenwaschbaren Kleidungsstücken und Textilien mit einem Waschmittel.
- Waschen mit handelsüblichen schaumarmen Wasch- und Pflegemitteln, die für die Verwendung in einer Frontlader-Waschmaschine oder einem Trockner geeignet sind.

Dieses Produkt ist nicht für den Einbau in einen Schrank vorgesehen.

Sicherheit für Kinder und Menschen mit Behinderungen

**WARNUNG!**

Lassen Sie die folgenden Gruppen das Produkt nur verwenden, wenn sie beaufsichtigt werden oder wenn ihnen Anweisungen zur sicheren Verwendung des Produkts gegeben werden. Sie müssen die damit verbundenen Gefahren verstehen.

- Kinder. (Kinder, die jünger als 8 Jahre alt sind, müssen ständig beaufsichtigt werden).
- Menschen mit eingeschränkten körperlichen, sensorischen oder geistigen Fähigkeiten.
- Menschen, denen es an Erfahrung und Wissen mangelt.

**WARNUNG!**

- Lassen Sie Kinder nicht mit dem Produkt spielen.
- Lassen Sie Kinder das Produkt nicht unbeaufsichtigt reinigen.

**WARNUNG!**

Es besteht die Gefahr, dass Tiere und Kinder in das Produkt klettern können. Prüfen Sie das Innere vor jedem Einsatz.

**WARNUNG!**

Die Glastür kann während des Betriebs sehr heiß werden. Halten Sie Kinder und Haustiere während des Betriebs vom Gerät fern.

Allgemeine Sicherheit

**WARNUNG!**

- Waschen oder trocknen Sie keine Gegenstände, die mit brennbaren oder explosiven Stoffen wie Wachs, Öl, Farbe, Benzin, Entfettungsmitteln, chemischen Reinigungsmitteln, Kerosin usw. gereinigt, gewaschen, getränkt oder getupft wurden. Dies kann zu einem Brand oder einer Explosion führen.
- Spülen Sie solche Wäschestücke vor dem Waschen gründlich mit der Hand aus.

**WARNUNG!**

Stromschlaggefahr!

- Wenn das Netzkabel beschädigt ist, muss es durch den Hersteller, seinen Kundendienst oder ähnlich qualifizierte Personen ersetzt werden, um Gefahren zu vermeiden.
- Wenn die Maschine beschädigt ist, darf sie nicht in Betrieb genommen werden, es sei denn, sie wird vom Hersteller, seinem Kundendienst oder ähnlich qualifizierten Personen repariert.
- Ziehen Sie vor jeder Wäsche oder Wartung des Geräts den Netzstecker aus der Steckdose.
- Verwenden Sie keine Steckdose mit einer geringeren Nennstromstärke als die des Produkts.
- Ziehen Sie den Netzstecker niemals mit nassen Händen aus der Steckdose.

**VORSICHT!**

- Klettern Sie nicht auf das Produkt und setzen Sie sich nicht darauf.
- Lehnen Sie sich nicht gegen die Tür des Geräts.
- Schließen Sie die Tür nicht mit übermäßiger Kraft. Wenn Sie Schwierigkeiten haben, die Tür zu schließen, vergewissern Sie sich, dass sie nicht durch Wäsche verdeckt ist.
- Waschen Sie keine Teppiche in dem Produkt.

**VORSICHT!**

Beim Transport des Produkts:

- Die Transportschrauben müssen von einer entsprechend qualifizierten Person wieder in die Maschine eingebaut werden.
- Das im Produkt enthaltene Wasser muss aus der Maschine abgelassen werden.
- Behandeln Sie das Produkt sorgfältig. Halten Sie beim Heben niemals hervorstehende Teile der Maschine fest.
- Verwenden Sie die Tür des Geräts nicht, um es während des Transports anzuheben.
- Dieses Produkt ist schwer. Vorsichtig transportieren.

Sicherheit bei der Installation

**WARNUNG!**

Überprüfen Sie das Produkt vor der Installation auf äußerlich sichtbare Schäden. Installieren oder verwenden Sie kein beschädigtes Produkt.

**WARNUNG!**

Installieren Sie das Gerät nicht

- in einem Badezimmer in einer Situation, in der die Gefahr eines direkten Kontakts mit Wasser besteht, z. B. Wasserstrahl aus einer Dusche, Wasser aus einer Badewanne, oder in einem sehr feuchten Raum oder einem Raum mit hoher Luftfeuchtigkeit;
- in einem Raum mit explosiven oder ätzenden Gasen; oder
- hinter einer abschließbaren Tür, einer Schiebetür oder einer Tür mit einem Scharnier auf der dem Produkt gegenüberliegenden Seite.

**WARNUNG!**

Es muss für eine ausreichende Belüftung gesorgt werden, um den Rückfluss von Gasen in den Raum zu vermeiden, die von Geräten stammen, die andere Brennstoffe verbrennen, einschließlich offener Kamine.

**WARNUNG!**

- Entfernen Sie alle Verpackungs- und Transportschrauben, bevor Sie das Produkt verwenden. Andernfalls kann es zu schweren Schäden kommen.
- Halten Sie das gesamte Verpackungsmaterial von Kindern fern. Es besteht Erstickungsgefahr!

**WARNUNG!**

- Vergewissern Sie sich, dass das Gerät gemäß den Anweisungen des Herstellers und den örtlichen Sicherheitsvorschriften von einer entsprechend qualifizierten Person an die Wasser- und Stromversorgung angeschlossen wird.
- Wenn das Stromkabel beschädigt ist, muss es durch den Hersteller, den Kundendienst des Herstellers oder ähnlich qualifizierte Personen ersetzt werden, um Gefahren zu vermeiden.
- Achten Sie darauf, dass Sie den Netzstecker an eine geerdete dreipolige Steckdose anschließen. Prüfen Sie sorgfältig, ob Ihre Steckdose richtig und zuverlässig geerdet ist.
- Vergewissern Sie sich, dass der Netzstecker des Geräts nach der Installation zugänglich ist und dass die Maschine nicht auf dem Netzkabel steht.
- Beim Nivellieren der Maschine müssen die Kontermuttern an allen vier Füßen fest gegen das Gehäuse geschraubt werden.
- Vergewissern Sie sich gegebenenfalls, dass die Lüftungsöffnungen im Boden des Geräts nicht durch z. B. einen Teppich verdeckt werden.
- Verwenden Sie die mit dem Produkt gelieferten neuen Schlauchsätze. Alte Schlauchsätze nicht wiederverwenden.

**VORSICHT!**

- Der Zulaufschlauch muss an die Kaltwasserleitung angeschlossen werden.
- Der Wasserzulaufschlauch darf nicht geknickt, gequetscht, verändert oder durchtrennt werden.
- Knicken oder dehnen Sie den Abflussschlauch nicht.
- Bringen Sie den Abflussschlauch richtig an, da er bei Beschädigung zu einem Wasseraustritt führen kann.
- Wenn der Abflussschlauch zu lang ist, darf er nicht mit Gewalt in die Maschine eingeführt werden, da er sonst ungewöhnliche Geräusche verursacht.

**VORSICHT!**

- Vor dem ersten Gebrauch muss das Gerät kalibriert werden.
- Vor dem ersten Waschen von Wäschestücken muss ein Waschprogramm ohne Wäschestücke in der Trommel zu Ende geführt werden.

Sicherheit während des Betriebs

**WARNUNG!**

Vergewissern Sie sich vor der Verwendung des Produkts, dass es korrekt installiert ist.

**WARNUNG!**

- Entflammbare, explosive oder giftige Lösungsmittel sind verboten. Benzin, Alkohol usw. dürfen nicht als Waschmittel verwendet werden. Verwenden Sie nur Waschmittel, die für die Maschinenwäsche geeignet sind.

**WARNUNG!**

- Ziehen Sie nach dem Gebrauch immer den Stecker aus der Steckdose und stellen Sie die Wasserversorgung ab.

**WARNUNG!**

- Achten Sie darauf, dass Sie sich nicht verbrühen, wenn Sie das heiße Wasser aus dem Gerät ablassen.
- Wenn das Gerät über eine Funktion verfügt, mit der Sie ein Waschprogramm unterbrechen und weitere Wäsche hinzufügen können, verwenden Sie diese Funktion nicht, wenn der Wasserstand über dem Rand der Innentrommel liegt oder die Temperatur hoch eingestellt ist.
- Wenn sich die Trommel noch dreht und sich eine große Menge heißes Wasser in der Trommel befindet, ist es unsicher, die Tür zu öffnen, und die Tür kann nicht mit Gewalt geöffnet werden.
- Füllen Sie beim Waschen niemals Wasser von Hand nach.

**WARNUNG!**

Es besteht Explosions- und Brandgefahr!

- Entfernen Sie alle Gegenstände aus den Taschen, insbesondere Feuerzeuge, Streichhölzer und ähnliche Gegenstände, bevor Sie die Kleidung trocknen.
- Wenn es sich nicht vermeiden lässt, Gegenstände zu trocknen, die mit Substanzen wie Speiseöl, Pflanzenöl, Haarpflegemitteln, Aceton, Alkohol, Benzin, Kerosin, Fleckentfernern, Terpentin, Wachsen und Wachsentrfernern verschmutzt sind, müssen diese Gegenstände vor dem Trocknen in heißem Wasser mit einer zusätzlichen Menge an Waschmittel gewaschen werden. Dadurch wird die Gefahr zwar verringert, aber nicht beseitigt.
- Handgewaschene Gegenstände müssen vor dem Trocknen gründlich mit Wasser abgespült werden.
- Verwenden Sie das Produkt nicht, wenn es mit industriellen Chemikalien gereinigt wurde.
- Stoppen Sie einen Trocknungszyklus nicht vor dessen Ende, es sei denn, Sie nehmen alle Teile schnell heraus und verteilen sie, damit die Wärme abgeführt wird.
- Vergewissern Sie sich, dass die Öffnungen des Produkts nicht verdeckt sind.
- Die Bodenfreiheit darf nicht durch langfaserige Teppiche, Holzleisten oder ähnliches eingeschränkt werden. Dies könnte zu einem Wärmestau führen, der den Betrieb des Produkts beeinträchtigt.
- Es dürfen sich keine Flusen um das Gerät ansammeln.

**WARNUNG!**

Es besteht Explosions- und Brandgefahr! Trocknen Sie die folgenden Gegenstände nicht im Produkt.

- Ungewaschene Gegenstände.
- Gegenstände wie
 - Schaumgummi (Latexschaum),
 - Duschhauben
 - wasserdichte Textilien,
 - kautschukbeschichtete Artikel und
 - Kleidung oder Kissen mit Schaumgummipolstern.
- Gegenstände, die mit brennbaren oder explosiven Stoffen gereinigt, gewaschen, getränkt oder getupft wurden, wie z. B.
 - Wachs,
 - Öl,
 - Lack,
 - Benzin,
 - Entfetter,
 - Lösungsmittel für die chemische Reinigung,
 - Kerosin.

**VORSICHT!**

- Nach Beendigung eines Waschprogramms:
 - zwei Minuten warten, bevor sie die Tür öffnen, und
 - prüfen Sie vor dem Öffnen der Tür, ob das Wasser aus der Trommel abgelassen wurde. Öffnen Sie die Tür nicht, wenn Wasser sichtbar ist.

**VORSICHT!**

- Scharfe und starre Gegenstände wie Münzen, Broschen, Nägel, Schrauben, Steine usw. können das Gerät schwer beschädigen. Stellen Sie sicher, dass alle Taschen geleert sind.

Sicherheit bei der Wartung

**WARNUNG!**

- Reparaturen dürfen nur von autorisierten Technikern durchgeführt werden.
- Wenn Sie Probleme mit dem Produkt haben, die Sie mit den Informationen zur Fehlersuche im vollständigen Handbuch nicht lösen können, schalten Sie das Produkt aus, trennen Sie es von der Stromversorgung, stellen Sie die Wasserversorgung ab und wenden Sie sich an unseren Kundendienst.

**WARNUNG!**

Schalten Sie die Strom- und Wasserversorgung zum Gerät ab, bevor Sie Wartungsarbeiten durchführen.

**WARNUNG!**

Während des Betriebs kann sich heißes Wasser in der Ablaufpumpe befinden. Nehmen Sie den Pumpendeckel niemals während eines Waschgangs ab, sondern warten Sie immer, bis das Produkt den Waschgang beendet hat und das gesamte Wasser abgelassen wurde.

**VORSICHT!**

- Verwenden Sie keine Lösungsmittel, Alkohol, Ameisensäurehaltige Produkte, Scheuermittel, Glasreiniger oder Allzweckreiniger zur Reinigung dieses Produkts. Kunststoffoberflächen und andere Teile können beschädigt werden.
- Tragen Sie bei der Reinigung des Produkts Handschuhe.
- Es besteht die Gefahr, dass Wasser austritt, wenn der Pumpendeckel nach der Reinigung des Filters der Ablaufpumpe nicht ordnungsgemäß wieder angebracht wird.

Entsorgung



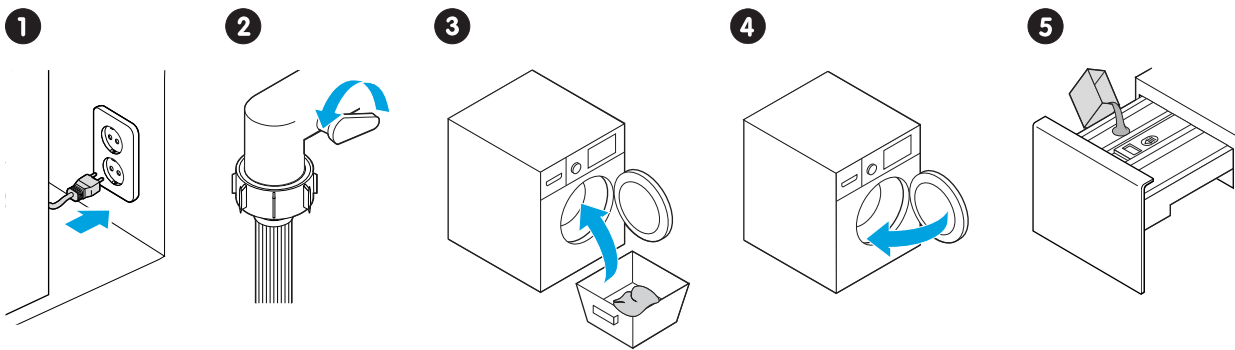
Entsorgen Sie die Verpackung auf umweltfreundliche Weise. Die Wiederverwertung von Verpackungen unter Beachtung der nationalen und lokalen Vorschriften kann den Verbrauch von Rohstoffen und die Abfallmenge auf den Deponien verringern.

Dieses Produkt ist in Übereinstimmung mit der Europäischen Richtlinie 2012/19/EU, Elektro- und Elektronik-Altgeräte (WEEE), gekennzeichnet. Das Symbol auf dem Produkt oder auf der Verpackung weist darauf hin, dass dieses Produkt nicht als Haushaltsabfall behandelt werden darf. Stattdessen sind sie bei der zuständigen Sammelstelle für das Recycling von Elektro- und Elektronikgeräten abzugeben.

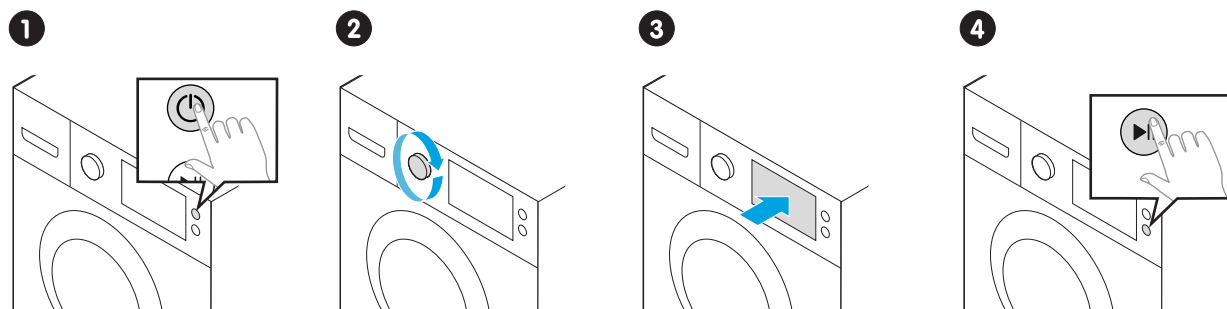
Indem Sie sicherstellen, dass dieses Produkt ordnungsgemäß entsorgt wird, tragen Sie dazu bei, mögliche negative Folgen für die Umwelt und die menschliche Gesundheit zu vermeiden, die andernfalls durch eine unsachgemäße Abfallentsorgung dieses Produkts verursacht werden könnten. Nähere Informationen über das Recycling dieses Produkts erhalten Sie bei der zuständigen kommunalen Behörde für Abfallwirtschaft, bei Ihrem Hausmüllentsorgungsdienst oder in dem Geschäft, in dem Sie das Produkt gekauft haben.

SCHNELLSTART

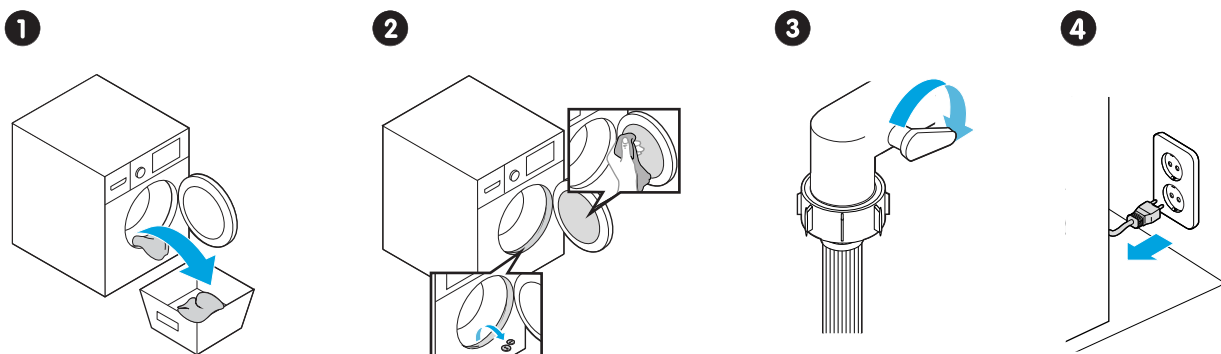
Vor jeder Wäsche



Waschen

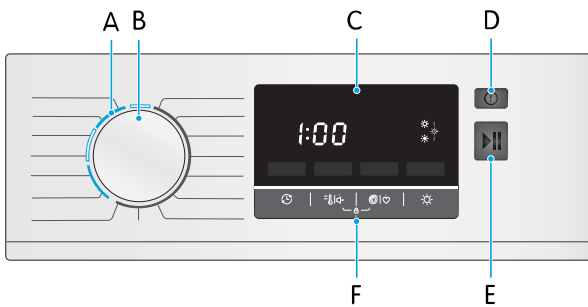


Nach dem Waschen



LERNEN SIE IHRE WASCHMASCHINE/TROCKNER-KOMBINATION KENNEN

Steuerung



- A. Wasch- und Trockenprogramme
- B. Programmauswahl
- C. Anzeige
- D. Ein/Aus
- E. Start/Pause
- F. Optionen, Einstellungen und Funktionen

Symbole auf der Anzeige



Türsperre



Kindersicherung



Trockenheitsgrad:
Normal trocken

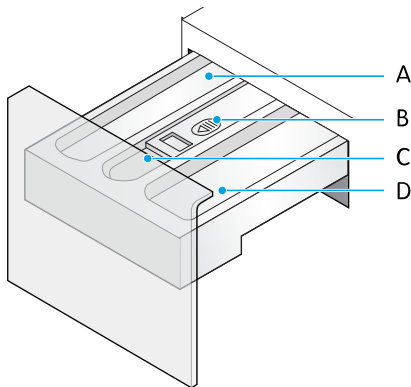


Trockenheitsgrad:
Extra trocken



Trockenheitsgrad:
Zeitgesteuert trocken

Waschmittelspender



- A. Hauptwaschmittel
- B. Waschmittelsperre (nach unten drücken, um den Spender zu entfernen)
- C. Weichspüler
- D. Vorwaschmittel



WARNUNG!

Entflammare und explosive oder giftige Lösungsmittel sind verboten. Benzin, Alkohol usw. dürfen nicht als Waschmittel verwendet werden. Verwenden Sie nur Waschmittel, die für die Maschinenwäsche geeignet sind.

Waschprogramme

| Waschprogramm | Beschreibung | Max. Ladung Waschen | Max. Ladung Trocknen |
|----------------------|--|---------------------|----------------------|
| 1 h Waschen&Trocknen | Für eine kleine Anzahl von synthetischen Kleidungsstücken. | 1,0 kg | 1,0 kg |
| 20 °C | 20 °C als Standardtemperatur. Es kann auch kaltes Wasser gewählt werden. | 4,0 kg | - |

| Waschprogramm | Beschreibung | Max. Ladung Waschen | Max. Ladung Trocknen |
|-----------------------|---|---------------------|----------------------|
| Baumwolle | Für strapazierfähige, hitzebeständige Textilien aus Baumwolle oder Leinen. | 8,0 kg | 6,0 kg |
| Nur trocknen | Trockene Wäsche Wählen Sie zwischen verschiedenen Trockenheitsgraden. | - | 6,0 kg |
| ECO 40-60 | Empfohlen für normal verschmutzte Baumwollwäsche. Mit diesem Programm können Sie Wäsche, die als 40 °C- oder 60 °C-Wäsche gilt, in einem Durchgang im selben Programm waschen. | 8,0 kg | - |
| Intensiv | Die Waschzeit wird für eine bessere Waschwirkung verlängert. | 8,0 kg | - |
| Jeans | Speziell für Jeans. | 8,0 kg | - |
| Gemischt | Für eine gemischte Ladung, bestehend aus Textilien aus Baumwolle und Synthetik. | 8,0 kg | 6,0 kg |
| Kurz 15 Min. | Extra-schnelles Programm. Geeignet für kleine Mengen leicht verschmutzter Wäsche. | 2,0 kg | 1,0 kg |
| Spülen und Schleudern | Extra Spülen und Schleudern. | 8,0 kg | - |
| Nur schleudern | Zusätzliches Schleudern mit wählbarer Schleudergeschwindigkeit. | 8,0 kg | - |
| Sportbekleidung | Waschen von Sportbekleidung. | 4,0 kg | - |
| Synthetisch | Zum Waschen von synthetischen Textilien wie Hemden, Mänteln und Mischgeweben. Wenn Strickwaren gewaschen werden, sollte die Waschmittelmenge reduziert werden, um eine übermäßige Schaumbildung zu vermeiden. | 4,0 kg | 4,0 kg |
| Waschen und Trocknen | Empfohlen für normal verschmutzte Baumwollwäsche. Die Wäsche ist so trocken, dass sie sofort in einem Schrank gelagert werden kann. | - | 6,0 kg |
| Wolle | Hand- oder maschinenwaschbare Wolle oder Textilien mit hohem Wollanteil. Schonendes Waschprogramm zur Vermeidung von Schrumpfung. Beinhaltet längere Zeiträume ohne Trommeldrehung. | 2,0 kg | - |

Optionen, Einstellungen und Funktionen



Kindersicherung

Verhindert die versehentliche Benutzung des Geräts.



Verzögerung

Verzögert den Start des Waschprogramms um eine bestimmte Zeitspanne. Die maximale Verzögerungszeit beträgt 24 Stunden.



Trockenheitsgrad

Legt einen Trockenheitsgrad fest. Die Zeit, die erforderlich ist, um den angegebenen Grad zu erreichen, ist von Programm zu Programm unterschiedlich.



Nachladen

Wäsche während eines Waschgangs hinzufügen.

**Schleuderdrehzahl, Mein Programm**

- Schleuderdrehzahl: Stellt die Schleuderdrehzahl ein.
- Mein Programm: Speichert Ihre bevorzugte Kombination von Waschprogrammen und Optionen.

**Temperatur, Stummschaltung / Aufhebung der Stummschaltung**

- Temperatur: Stellt die Temperatur ein.
- Stummschaltung / Aufhebung der Stummschaltung: Stummschalten und Aufheben der Stummschaltung des akustischen Signals.

Innehåll

| | |
|--|-----------|
| LÄS DETTA! | 28 |
| SÄKERHET | 29 |
| Varningar..... | 29 |
| Avsedd användning..... | 29 |
| Säkerhet för barn och personer med funktionsnedsättning..... | 29 |
| Allmän säkerhet..... | 30 |
| Säkerhet under installation..... | 30 |
| Säkerhet under användning..... | 31 |
| Säkerhet under underhåll..... | 32 |
| Avfallshantering..... | 33 |
| SNABBSTART | 34 |
| LÄR KÄNNA DIN KOMBINERADE TVÄTT/TORK | 35 |
| Reglage..... | 35 |
| Symboler på displayen..... | 35 |
| Tvättmedelsfack..... | 35 |
| Tvättprogram..... | 35 |
| Alternativ, inställningar och funktioner..... | 36 |

LÄS DETTA!

**VARNING!**

Läs säkerhetsinformationen och alla instruktioner innan du installerar eller använder denna produkt.

Hitta de fullständiga instruktionerna

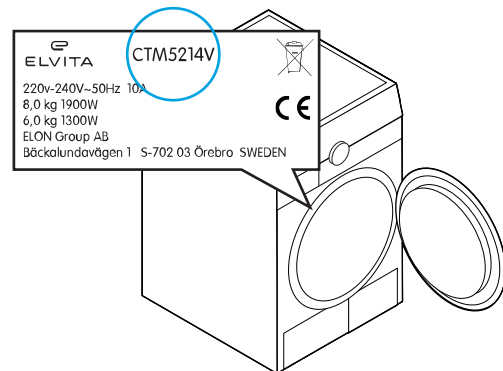
Du hittar den fullständiga och senaste användarinformationen för din produktmodell på webbplatsen www.elvita.se. Detta inkluderar information om installation, användning, underhåll och felsökning. Du behöver modellkoden för att söka efter informationen.

Hitta modellkoden

Modellkoden är tryckt på en etikett på produkten.

**OBS!**

Denna produkt och etiketttexten är exempel. Din produkt och text kan ha ett annat utseende och innehåll.



SÄKERHET

Läs instruktionerna noga innan du installerar och använder produkten. Spara instruktionerna och förvara dem nära produkten för framtida bruk. Alla garantier förlorar sin giltighet om dessa instruktioner inte efterlevs.

Varningar

**VARNING!**

Används när det finns risk för personskada.

**FÖRSIKTIGHET!**

Används när det finns risk för skada på produkten.

**OBS!**

Allmän information som du bör känna till.



Hjälpsamma tips som du kan ha nytta av.

Avsedd användning

Denna maskin är endast avsedd för:

- Inomhusbruk i ett hushåll eller i en hushållsmiljö som t.ex.:
 - av personal i köksavdelningen hos affärer, kontor och andra arbetsplatser;
 - privathushåll;
 - av gäster på hotell, motell och liknande typer av boendemiljö;
 - på bed and breakfast, vandrarhem och liknande.
- Tvätt av maskintvättbara kläder och textilier i en tvättmedelslösning.
- Tvätt med hjälp av vanliga lågskummande tvättmedel och skötselprodukter som är lämpliga för användning på frontmatad tvättmaskin eller kombinerad tvätt/tork.

Maskinen är inte avsedd att byggas in i skåp.

Säkerhet för barn och personer med funktionsnedsättning

**VARNING!**

Låt endast följande grupper använda produkten om de övervakas eller har instruerats om hur man använder produkten på ett säkert sätt. De måste ha förstått de faror som är förknippade därmed.

- Barn. (Barn under 8 års ålder måste ständigt övervakas.)
- Personer med nedsatt fysisk, sensorisk eller mental förmåga.
- Personer som saknar erfarenhet eller kunskap.

**VARNING!**

- Barn får inte leka med maskinen.
- Barn får inte rengöra maskinen utan tillsyn.

**VARNING!**

Det finns risk att djur eller barn klättrar in i maskinen. Kontrollera insidan före varje användning.

**VARNING!**

Glasluckan kan bli mycket varm under drift. Försäkra dig om att barn och husdjur inte kan komma nära maskinen när den används.

Allmän säkerhet

**WARNING!**

- Det är förbjudet att tvätta eller torka plagg/tyg som har rengjorts i, tvättats i, blötlagts i eller fuktats med brandfarliga eller explosiva ämnen, till exempel vax, olja, färg, bensin, avfettningsmedel, kemtvättmedel, fotogen. Detta kan orsaka brand eller explosion.
- Skölj alla sådana plagg noga för hand innan du lägger dem i tvättmaskinen.

**WARNING!**

Risk för elstötar!

- Om nätsladden är skadad ska den bytas ut av tillverkaren, dennes servicerepresentant eller annan behörig person för att undvika olycksfall.
- Om maskinens skadas får den inte användas förrän den har reparerats av tillverkaren, dennes servicerepresentant eller annan behörig person.
- Koppla bort maskinen från elnätet innan du rengör eller underhåller maskinen.
- Använd inte ett eluttag med en lägre nominell spänning än maskinen.
- Dra inte ut stickkontakten från eluttaget med våta händer.

**FÖRSIKTIGHET!**

- Klättra inte upp på maskinen och sitt inte på den.
- Luta dig inte mot maskinens lucka.
- Smäll inte igen maskinens lucka. Om det är svårt att stänga luckan kan det bero på att det finns tvätt i vägen.
- Tvätta inte mattor i maskinen.

**FÖRSIKTIGHET!**

När du flyttar maskinen:

- Transportskruvarna måste återmonteras på maskinen av en kvalificerad person.
- Maskinen måste tömmas på allt vatten.
- Hantera maskinen varsamt. Håll inte i utstickande delar på maskinen när du lyfter den.
- Använd inte maskinens lucka för att lyfta den under transporten.
- Maskinen är tung. Var försiktig när du transporterar den.

Säkerhet under installation

**WARNING!**

Kontrollera avseende synliga yttre skador innan du installerar maskinen. Installera eller använd inte en skadad maskin.

**WARNING!**

Installera inte maskinen

- i ett badrum i en situation där det finns risk för direktkontakt med vatten, till exempel vattenstrålar från en dusch, vatten från ett badkar eller i ett mycket vått rum eller ett rum med hög fuktighet;
- i rum med explosiva eller frätande gaser; eller
- bakom en låsbar dörr, skjutdörr eller en dörr med gångjärnen på maskinens motsatta sida.

**WARNING!**

Se till att ventilationen i utrymmet är tillräckligt, för att undvika baksug av gaser från enheter som använder andra bränslen, till exempel öppna spisar.

**WARNING!**

- Avlägsna allt emballage och alla transportskruvar innan du använder maskinen. I annat fall finns det risk för allvarliga skador.
- Håll allt förpackningsmaterial utom räckhåll för barn. Kvävningsrisk!

**VARNING!**

- Försäkra dig om att maskinen ansluts till vatten- och strömförsörjningen av en lämplig kvalificerad person, i enlighet med tillverkarens instruktioner och lokala säkerhetsföreskrifter.
- Om strömsladden är skadad ska den bytas av tillverkaren, tillverkarens servicerepresentant eller personer med samma behörighet (skadad strömsladd utgör en fara).
- Säkerställ att du ansluter maskinens stickkontakt till ett jordat vägguttag. Försäkra dig om att vägguttaget är korrekt och tillförlitligt jordat.
- Säkerställ att maskinens stickkontakt är åtkomlig efter installationen och att maskinen inte står på strömsladden.
- När du nivåjusterar maskinen, skruvar du fast låsmuttrarna på alla fyra fötter så att de sitter fast ordentligt mot höljet.
- Om tillämpligt måste du säkerställa att ventilationsöppningarna nere på maskinen inte blockeras, t.ex. av en matta.
- Använd den nya slangsetsen som levererades med maskinen. Återanvänd inte den gamla slangsetsen.

**FÖRSIKTIGHET!**

- Inloppsslangen ska anslutas till en kallvattenkran.
- Försäkra dig om att inloppsslangen inte böjas, ändras eller skadas.
- Böj eller tøj inte avloppsslangen.
- Sätt avloppsslangen så den inte skadas. En skadad slang orsakar vattenläckage.
- Tvinga inte in avloppsslangen i maskinen om den är för lång, eftersom detta kan orsaka onormala ljud.

**FÖRSIKTIGHET!**

- Maskinen måste kalibreras innan den används första gången.
- Kör först ett komplett tvättprogram utan någon tvätt i trumman, innan du tvättar med maskinen första gången.

Säkerhet under användning

**VARNING!**

Säkerställ att maskinen är korrekt installerad innan du börjar använda den.

**VARNING!**

- Det är förbjudet att använda brandfarliga, explosiva eller giftiga lösningsmedel. Bensin, alkohol och liknande vätskor får inte användas som tvättmedel. Använd endast tvättmedel avsedda för maskintvätt.

**VARNING!**

- Koppla bort maskinen från vägguttaget och stäng av vattentillförseln till den efter varje användning.

**VARNING!**

- Var försiktig så att du inte bränner dig när varmt vatten töms ut från maskinen.
- Om maskinen har en funktion som tillåter dig att pausa ett tvättprogram och lägga till fler kläder, ska du inte använda denna funktion när vattennivån är över den inre trummans kant eller om temperaturinställningen är för hög.
- Om trumman fortfarande roterar och det finns mycket varmt vatten i den, är det inte säkert att öppna luckan och luckan kan inte öppnas med kraft.
- Fyll inte på vatten manuellt under pågående program.

**VARNING!**

Risk för explosion eller brand!

- Ta bort alla föremål från fickorna, särskilt cigarettändare, tändstickor och liknande föremål innan du torkar kläderna.
- Om du måste torka plagg som har blivit nedsmutsade med ämnen som t.ex. matolja, vegetabilisk olja, hårdvårdsmedel, aceton, alkohol, bensin, fotogen, fläckborttagningsmedel, terpentiner, vax- eller vaxborttagningsmedel, måste du tvätta sådana plagg i hett vatten med en extra mängd tvättmedel innan du torkar dem. Detta reducerar, men eliminerar inte faran.
- Handtvättade plagg måste noggrant sköljas med vatten innan de torkas.
- Använd inte maskinen om den har blivit rengjord med industrikemikalier.
- Om du stänger av en torkcykel innan cykeln avslutats, måste du snabbt plocka ur alla kläder och sprida ut dem, så att värmen leds bort.
- Säkerställ att du inte blockerar några av maskinens öppningar.
- Ställ inte torktummlaren på tjocka mattor, trälister eller liknande. Detta kan orsaka överhettning, vilket i sin tur kan påverka maskinens funktion på ett negativt sätt.
- Se till att det inte samlas ludd runt maskinen.

**VARNING!**

Risk för explosion eller brand! Torka inte följande i maskinen.

- Otvättade plagg.
- Föremål som t.ex.
 - skumgummi (latexskum),
 - badmössor
 - vattentäta textilier,
 - produkter med gummibeläggning och
 - kläder eller kuddar med skumgummistoppning.
- Plagg som har rengjorts, tvättats, blötts ned eller baddats i brännbara eller explosiva ämnen som t.ex.
 - vax,
 - olja,
 - lack,
 - bensin,
 - avfettningsmedel,
 - kemtvättmedel,
 - fotogen.

**FÖRSIKTIGHET!**

- Efter att ett tvättprogram har slutförts:
 - vänta i två minuter innan du öppnar luckan och
 - försäkra dig om att det inte finns något vatten i trumman innan du öppnar luckan. Öppna inte luckan om du ser vatten i trumman.

**FÖRSIKTIGHET!**

- Vassa och fasta föremål som t.ex. mynt, smycken, spikar, skruvar eller stenar kan orsaka allvarliga skador på maskinen. Se till att du tömmer alla fickor.

Säkerhet under underhåll

**VARNING!**

- Endast auktoriserade servicetekniker får utföra reparationer.
- Om du upplever problem med maskinen som felsökningsinformationen i den samlade bruksanvisningen inte kan hjälpa dig att lösa, stänger du av maskinen, kopplar bort den från strömförsörjningen, stänger av vattentillförseln och kontaktar vår support och service.

**VARNING!**

Stäng av strömförsörjningen och vattentillförseln till maskinen innan du utför något underhåll.

**VARNING!**

Det kan finnas hett vatten i tömningspumpen under drift. Öppna inte pumpkåpan under en tvättcykel. Vänta alltid tills maskinen har slutfört cykeln och allt vatten har tömts.

**FÖRSIKTIGHET!**

- Använd inte lösningsmedel, alkohol, produkter som innehåller myrsyra, slipande rengöringsmedel, glasrengöringsmedel eller allrengöringsmedel för att rengöra maskinen. Risk för att plastytor och andra delar skadas.
- Bär handskar när du rengör maskinen.
- Risk för vattenläckage om du inte återmonterar pumpkåpan korrekt efter att du rengjort tömningspumpens filter.

Avfallshantering



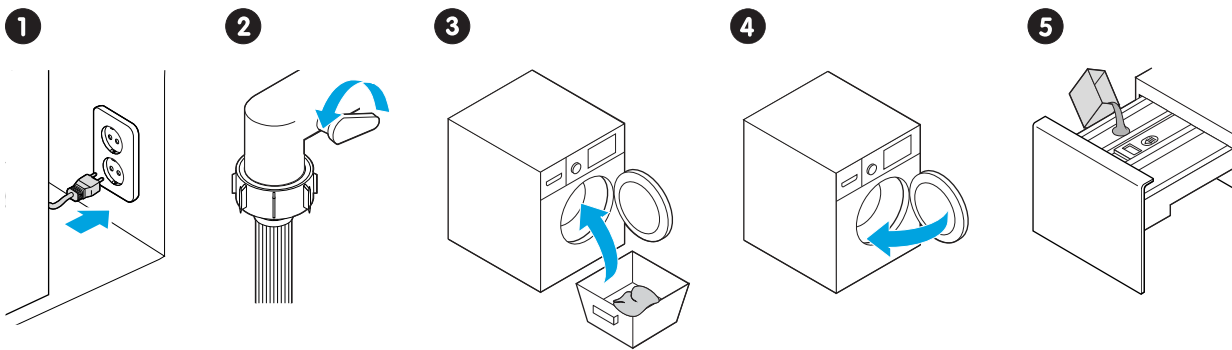
Avfallshandtera förpackningen på ett miljövänligt sätt. Återvinn förpackningen i enlighet med lokala lagar och föreskrifter, för att reducera förbrukningen av råmaterial och mark som används för deponering av avfall.

Denna maskin är märkt i enlighet med WEEE-direktivet 2012/19/EU för avfall som utgörs av eller innehåller elektriska eller elektroniska produkter. Symbolen på produkten eller dess förpackning anger att produkten inte ska hanteras som vanligt hushållsavfall. Istället ska den lämnas till ett lämpligt insamlingsställe för återvinning av elektrisk och elektronisk utrustning.

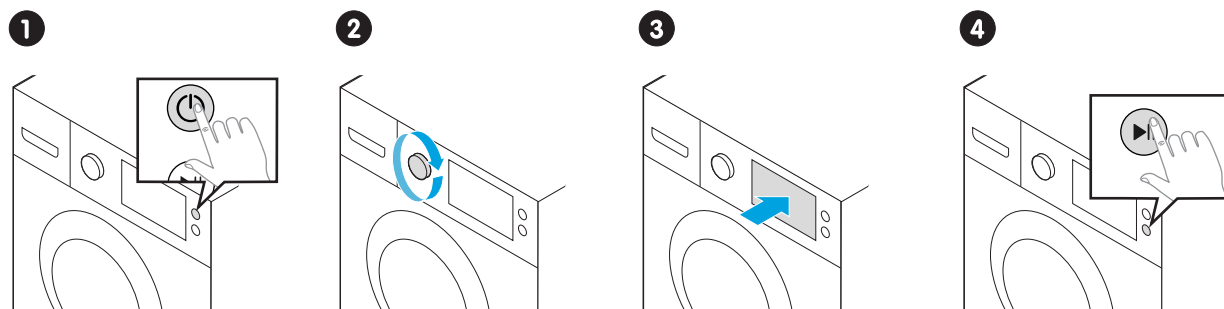
Genom att avfallshandtera maskinen på ett korrekt sätt förhindrar du att den inverkar negativt på miljön och människors hälsa, vilket kan vara fallet om den avfallshandteras på ett felaktigt sätt. Kontakta lokala myndigheter som ansvarar för avfallshantering eller butiken där du köpte produkten, för mer information om hur du återvinner maskinen.

SNABBSTART

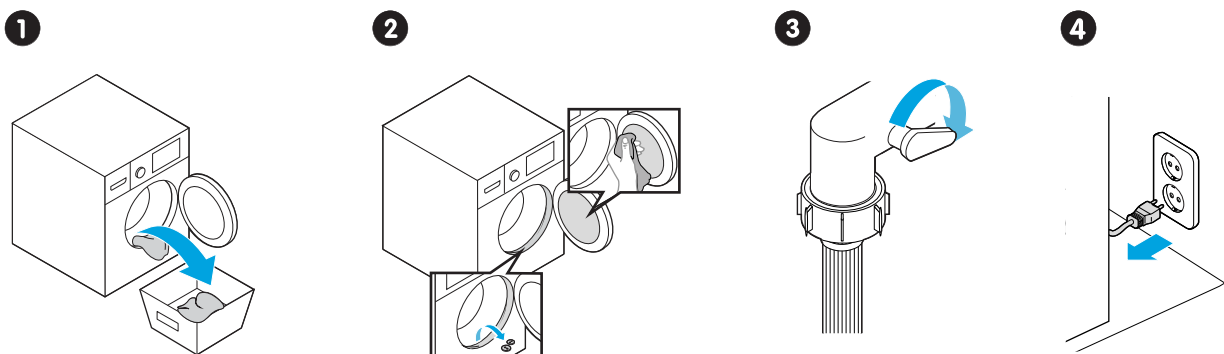
Före tvätt



Tvätt

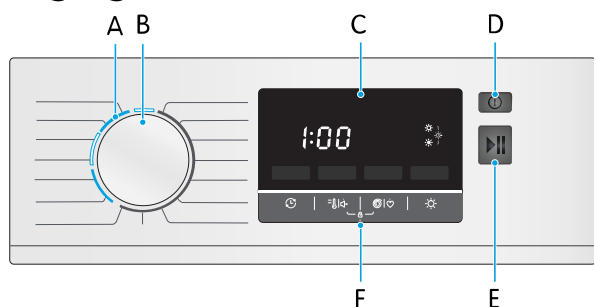


Efter tvätt



LÄR KÄNNA DIN KOMBINERADE TVÄTT/TORK

Reglage



- A. Tvätt och torkprogram
- B. Programväljare
- C. Display
- D. På/Av
- E. Start/paus
- F. Alternativ, inställningar och funktioner

Symboler på displayen



Lucklås



Barnlås



Torknivå: Normaltork

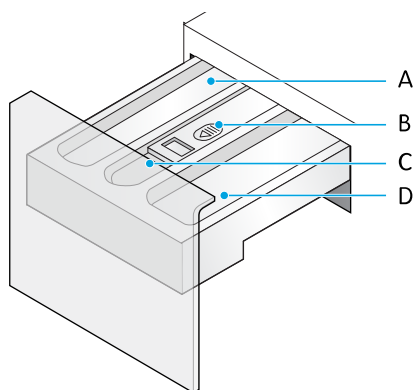


Torknivå: Extratork



Torknivå: Tidsinställd torkning

Tvättmedelsfack



- A. Tvättmedel huvudtvätt
- B. Tvättmedelslås (tryck ner för att dra ut facket)
- C. Sköljmedel
- D. Tvättmedel förtvätt



WARNING!

Det är förbjudet att använda brandfarliga och explosiva eller giftiga lösningsmedel. Bensin, alkohol och liknande vätskor får inte användas som tvättmedel. Använd endast tvättmedel avsedda för maskintvätt.

Tvättprogram

| Tvättprogram | Beskrivning | Max. last Tvätt | Max. last Torkning |
|------------------|---|--------------------|-----------------------|
| 1 h tvätt & tork | För en liten mängd syntettvätt. | 1,0 kg | 1,0 kg |
| 20 °C | 20 °C som förvald temperatur. Du kan även välja kallvatten. | 4,0 kg | - |

| Tvättprogram | Beskrivning | Max. last Tvätt | Max. last Torkning |
|-----------------|---|--------------------|-----------------------|
| Bomull | För slitstarka, värmebeständiga textilier av bomull eller linne. | 8,0 kg | 6,0 kg |
| Endast tork | Torr tvätt. Välj från olika torknivåer. | - | 6,0 kg |
| ECO 40-60 | Rekommenderas för normalt smutsad bomullstvätt. Detta program klarar av att tvätta tvätt som anges vara tvättbar vid 40 °C eller 60 °C i ett steg i samma cykel. | 8,0 kg | - |
| Intensiv | Tvättiden ökas för en bättre tvätteffekt. | 8,0 kg | - |
| Jeans | Särskilt program för tvätt av jeans. | 8,0 kg | - |
| Mixade material | För plagg med mixade material av bomull och syntet. | 8,0 kg | 6,0 kg |
| Kort 15 min | Extra snabbt program. Lämpligt för små mängder lätt smutsad tvätt. | 2,0 kg | 1,0 kg |
| Sköljprogram | Extra sköljning och centrifugering. | 8,0 kg | - |
| Centrifugering | Extra centrifugering med valbart centrifugeringsvarvtal. | 8,0 kg | - |
| Sportkläder | För tvätt av fritidskläder. | 4,0 kg | - |
| Syntet | För syntetplagg som t.ex. skjortor, jackor och blandade tyger. Minska mängden tvättmedel när du tvättar stickade plagg, för att undvika stora mängder lödder. | 4,0 kg | 4,0 kg |
| Tvätt och tork | Rekommenderas för normalt smutsad bomullstvätt. Lämnar kläderna tillräckligt torra för att direkt förvaras i ett klädskap. | - | 6,0 kg |
| Ylle | Hand- eller maskintvättbara textilier av ylle eller med högt ullinnehåll. Skonsamt tvättprogram för att förhindra att kläderna krymper. Inkluderar långa perioder utan att trumman roterar. | 2,0 kg | - |

Alternativ, inställningar och funktioner



Barnlås

Förhindrar att maskinen används av misstag.



Fördröjning

Fördröjer diskprogrammets start med en angiven tid. Maximal fördröjning är 24 timmar.



Torknivå

Ställer in en torknivå. Den tid som krävs för att uppnå den angivna nivån varierar mellan programmen.



Omstart

Lägg till tvätt under en tvätt.



Centrifugeringsvarvtal, Mitt val

- Centrifugeringsvarvtal: Justerar centrifugeringsvarvtalet.
- Mitt val: Sparar dina favoritkombinationer med tvättprogram och alternativ.



Temperatur, Ljud av/ljud på

- Temperatur: Justerar temperaturen.
- Ljud av/ljud på: Stänger av och slår på ljudsignalen.

Innhold

| | |
|--|-----------|
| LES DETTE! | 38 |
| SIKKERHET | 39 |
| Advarsler | 39 |
| Bruksområde | 39 |
| Sikkerhet for barn og personer med nedsatt funksjonsevne | 39 |
| Generell sikkerhet | 40 |
| Sikkerhet under montering | 40 |
| Sikkerhet under bruk | 41 |
| Sikkerhet under vedlikehold | 43 |
| Kassering | 43 |
| HURTIGSTART | 44 |
| BLI KJENT MED VASKEMASKIN/TØRKETROMMEL | 45 |
| Betjeningselementer | 45 |
| Symboler på displayet | 45 |
| Vaskemiddeldispenser | 45 |
| Vaskeprogrammer | 45 |
| Alternativer, innstillinger og funksjoner | 46 |

LES DETTE!



ADVARSEL!

Les sikkerhetsinformasjonen og alle anvisningene før du installerer eller bruker dette produktet.

Finne alle anvisningene

Du finner all brukerinformasjon, inkludert oppdateringer, for din produktmodell på nettsiden www.elvita.se. Informasjonen omfatter installasjon, bruk, vedlikehold og feilsøking. Du trenger modellkoden for å søke etter informasjon.

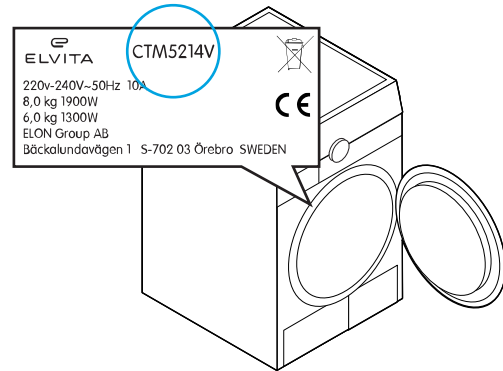
Finne modellkoden

Modellkoden er trykt på en etikett på produktet.



NB:

Dette produktet og teksten på etiketten er et eksempel. Produktet ditt og teksten på etiketten kan se annerledes ut og ha annet innhold.



SIKKERHET

Les anvisningene nøye før du installerer produktet og tar det i bruk. Ta vare på anvisningene og oppbevar dem i nærheten av produktet for fremtidig bruk. Alle garantier blir ugyldige hvis disse anvisningene ikke følges.

Advarsler

**ADVARSEL!**

Brukes hvis det er risiko for personskade.

**OBS!**

Brukes hvis det er risiko for skade på produktet.

**NB:**

Generell informasjon som du må være oppmerksom på.



Nyttige tips som kan være til hjelp.

Bruksområde

Dette produktet er kun ment for:

- Innendørs bruk i husholdninger eller husholdningsmiljøer, for eksempel:
 - - kjøkkenområder for ansatte i butikker, kontorer og andre arbeidsmiljøer;
 - familieboliger;
 - av gjester på hoteller, moteller og tilsvarende overnattingssteder;
 - pensjonater.
- Vask av maskinvaskbare klær og tekstiler i en oppløsning med vaskemiddel.
- Vask med kommersielt tilgjengelig, lavtskummende vaskemiddel og pleieprodukter som er egnet for bruk i en frontlastet vaskemaskin eller vaskemaskin/tørketrommel.

Produktet er ikke ment for innbygging i skap.

Sikkerhet for barn og personer med nedsatt funksjonsevne

**ADVARSEL!**

Følgende grupper skal kun bruke produktet hvis de er under tilsyn eller har fått anvisninger om hvordan produktet brukes på en trygg måte. De må forstå farene som er involvert.

- Barn. (Barn under 8 år skal være under kontinuerlig tilsyn.)
- Personer med nedsatte fysisk, sansemessig eller mental kapasitet.
- Personer med manglende erfaring og kunnskap.

**ADVARSEL!**

- Ikke la barn leke med produktet.
- Ikke la barn rengjøre produktet uten tilsyn.

**ADVARSEL!**

Det er risiko for at dyr eller barn klatrer inn i produktet. Kontroller alltid innsiden før bruk.

**ADVARSEL!**

Glassdøren kan bli svært varm under bruk. Hold barn og kjæledyr borte fra produktet når det er i drift.

Generell sikkerhet

**ADVARSEL!**

- Ikke vask eller tørk gjenstander som er rengjort, vasket eller bløtlagt i eller fuktet med brann- eller eksplosjonsfarlige stoffer, som voks, olje, maling, bensin, avfettingsmiddel, løsemidler for tørrensing, parafin osv. Det kan føre til brann eller eksplosjon.
- Skyll eventuelle slike gjenstander for hånd før de vaskes.

**ADVARSEL!**

Risiko for elektrisk støt!

- Dersom ledningen blir skadd, må den skiftes av fabrikanten, dennes servicerepresentant eller tilsvarende kvalifiserte personer for å unngå fare.
- Hvis maskinen er skadet, får den ikke betjenes før den har blitt reparert av produsenten, en servicetekniker fra produsenten eller en tilsvarende kvalifisert person.
- Trekk støpselet ut av stikkontakten før det utføres rengjøring eller vedlikehold av produktet.
- Ikke bruk en stikkontakt med lavere nominell strømkapasitet enn det produktet krever.
- Trekk aldri støpselet ut av stikkontakten med våte hender.

**OBS!**

- Unngå å klatre eller sitte på produktet.
- Ikke len deg mot døren på produktet.
- Ikke bruk overdreven makt når døren lukkes. Kontroller at døren ikke hindres av klesvask hvis det er vanskelig å lukke døren.
- Ryer skal ikke vaskes i produktet.

**OBS!**

Når produktet flyttes:

- Transportboltene må monteres i maskinen igjen av en kvalifisert person.
- Eventuelt vann i produktet må tappes ut.
- Hånder produktet forsiktig. Hold aldri i utstikkende deler av maskinen når den løftes.
- Ikke bruk døren på produktet til å løfte det under transport.
- Dette produktet er tungt. Transporteres forsiktig.

Sikkerhet under montering

**ADVARSEL!**

Kontroller om det finnes utvendig synlig skade før produktet monteres. Ikke monter eller bruk et skadet produkt.

**ADVARSEL!**

Ikke monter maskinen

- i et baderom der det er risiko for direkte kontakt med vann, for eksempel vannsprut fra dusjen eller vann fra badekaret, eller i svært våte rom eller rom med høy luftfuktighet;
- i et rom med eksplosjonsfarlige eller kaustiske gasser; eller
- bak en låsbar dør, en skyvedør eller en dør med hengsler på motsatt side av produktet.

**ADVARSEL!**

Det må være tilstrekkelig ventilasjon for å unngå at gasser strømmer tilbake i rommet fra apparater som forbrenner brennstoff, inkludert åpen ild.

**ADVARSEL!**

- Fjern all emballasje og transportboltene før produktet brukes. Ellers kan det oppstå alvorlig skade.
- Hold all emballasje borte fra barn. Kvelningsfare kan forekomme!

**ADVARSEL!**

- Produktet skal kobles til vann- og strømforsyning av en kvalifisert person og i samsvar med produsentens instruksjoner og lokale sikkerhetsbestemmelser.
- Hvis ledningen blir skadd, må den skiftes av fabrikanten, fabrikantens servicerepresentant eller tilsvarende kvalifiserte personer for å unngå fare.
- Støpselet skal kobles til en jordet stikkontakt. Forsikre deg om at stikkontakten er riktig og sikkert jordet.
- Sørg for at støpselet til maskinen er tilgjengelig etter montering, og at maskinen ikke står på strømledningen.
- Når maskinen er vatret, skal låsemutrene på alle de fire føttene strammes mot kabinettet.
- Pass på at eventuelle ventilasjonsåpninger på undersiden av produktet ikke dekkes til av for eksempel et teppe.
- Bruk de nye slangesettene som følger med produktet. Gamle slangesett skal ikke gjenbrukes.

**OBS!**

- Inntaksslengen skal kobles til en vannforsyning med kaldt vann.
- Vanninntaksslengen skal ikke knekkes, klemmes sammen eller skades.
- Ikke lag knekk på eller strekk tømmeslangen.
- Plasser tømmeslangen på riktig måte. Den kan lekke vann hvis den blir skadet.
- Hvis tømmeslangen er for lang, må den ikke presses inn i maskinen. Det kan føre til unormal støy.

**OBS!**

- Produktet må kalibreres før det brukes for første gang.
- Kjør et fullstendig vaskeprogram med tom maskin før den første klesvasken.

Sikkerhet under bruk

**ADVARSEL!**

Forsikre deg om at produktet er riktig montert før det brukes.

**ADVARSEL!**

- Brannfarlige, eksplosjonsfarlige eller giftige løsemidler er forbudt. Bensin eller alkohol osv. skal ikke brukes som vaskemiddel. Bruk bare vaskemidler som er egnet for maskinvask.

**ADVARSEL!**

- Trekk alltid ut støpselet til produktet og steng av vannforsyningen etter bruk.

**ADVARSEL!**

- Vær forsiktig for å unngå skålding når varmt vann tømmes ut av produktet.
- Hvis produktet har en funksjon som gjør det mulig å sette et vaskeprogram på pause og legge inn flere plagg, må denne funksjonen ikke brukes hvis vannvået er over kanten på den innvendige trommelen eller høy temperatur er valgt.
- Det er farlig å åpne døren når trommelen roterer og det fortsatt er mye vann i trommelen, og døren kan ikke åpnes med makt.
- Fyll aldri på mer vann manuelt under vasking.

**ADVARSEL!**

Risiko for eksplosjon og brann!

- Fjern alle gjenstander fra lommene, spesielt lightere, fyrstikker og lignende gjenstander, før klærne tørkes.
- Hvis tørking av plagg som er tilsmusset med stoffer som matolje, vegetabilsk olje, hårpleieprodukter, aceton, alkohol, bensin, parafin, flekkfjerner, terpentin, voks eller voksfjerner ikke kan unngås, skal slike plagg vaskes i varmt vann med ekstra mye vaskemiddel før de tørkes. Dette reduserer faren, men fjerner den ikke.
- Håndvaskede plagg må skylles grundig med vann før de tørkes.
- Ikke bruk produktet hvis det er rensset med industrielle kjemikalier.
- Ikke stopp en tørkesyklus før den er ferdig, hvis ikke alle plagg fjernes og legges ut raskt, slik at varmen ledes bort.
- Pass på at åpningene i produktet ikke blir tildekket.
- Avstanden til gulvet må ikke hindres med dype tepper, trelister eller lignende. Det kan føre til at det bygges opp varme som kan forstyrre produktets drift.
- Unngå at det samler seg lo rundt produktet.

**ADVARSEL!**

Risiko for eksplosjon og brann! Følgende må ikke tørkes i produktet:

- Uvaskede plagg.
- Gjenstander som
 - skumgummi (lateksskum),
 - dusjhetter
 - vanntette tekstiler,
 - gjenstander med gummiert bakside og
 - klær eller puter som er utstyrt med skumgummiputer.
- Gjenstander som er rengjort, vasket eller bløtlagt i eller fuktet med brann- eller eksplosjonsfarlige stoffer som
 - voks,
 - olje,
 - maling,
 - bensin,
 - avfettingsmiddel,
 - løsemidler for tørrensing,
 - parafin.

**OBS!**

- Når et vaskeprogram er ferdig:
 - vent to minutter før døren åpnes, og
 - kontroller at vannet i trommelen er tappet ut før døren åpnes. Ikke åpne døren hvis det er synlig vann i maskinen.

**OBS!**

- Skarpe og stive gjenstander som mynter, brosjer, spiker, skruer eller steiner osv. kan forårsake alvorlig skade på maskinen. Kontroller at alle lommer er tomme.

Sikkerhet under vedlikehold

**ADVARSEL!**

- Reparasjoner skal kun utføres av autoriserte teknikere.
- Hvis du opplever problemer med produktet, som ikke kan løses med feilsøkinginformasjonen i den komplette brukerhåndboken, må produktet slås av, støpselet trekkes ut, vannforsyningen stenges av og vår serviceavdeling kontaktes.

**ADVARSEL!**

Slå av strøm- og vannforsyningen til produktet før det utføres vedlikehold.

**ADVARSEL!**

Under drift kan det være varmt vann i tømmepumpen. Fjern aldri pumpedekselet mens en vaskesyklus pågår. Vent alltid til produktet har fullført syklusen og alt vann er tømt ut.

**OBS!**

- Ikke bruk løsemidler, alkohol, produkter som inneholder maursyre, skuremidler, glassrens eller universalrens til å rengjøre dette produktet. Plastoverflater og andre deler kan bli skadet.
- Bruk hansker når produktet rengjøres.
- Det er risiko for vannlekkasje hvis pumpedekselet ikke monteres på riktig måte etter rengjøring av tømmepumpefilteret.

Kassering



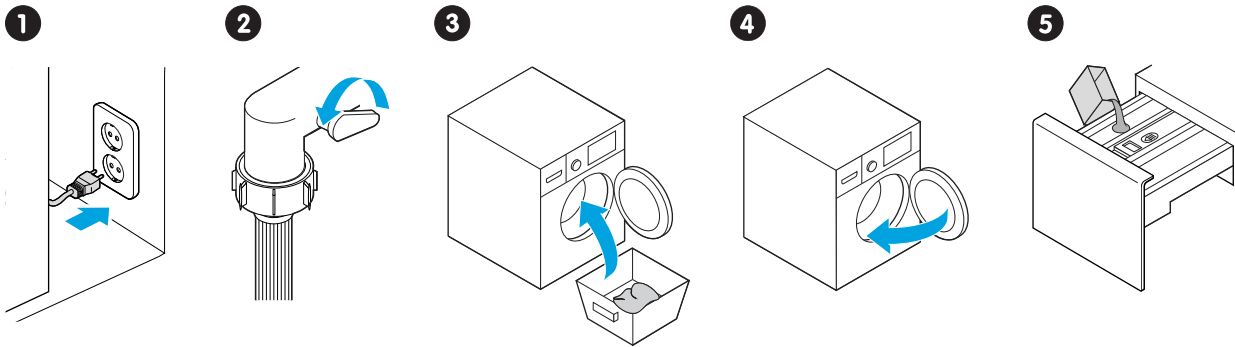
Kast emballasjen på en miljøvennlig måte. Gjenvinning av emballasje i henhold til gjeldende bestemmelser kan redusere forbruket av råmaterialer og avfallsmengden.

Dette produktet er merket i samsvar med EU-direktiv 2012/19/EU om kassering av elektriske og elektroniske produkter (WEEE). Symbolet på produktet eller på emballasjen angir at produktet ikke skal behandles som husholdningsavfall. Det skal i stedet leveres til et egnet returpunkt for resirkulering av elektrisk og elektronisk utstyr.

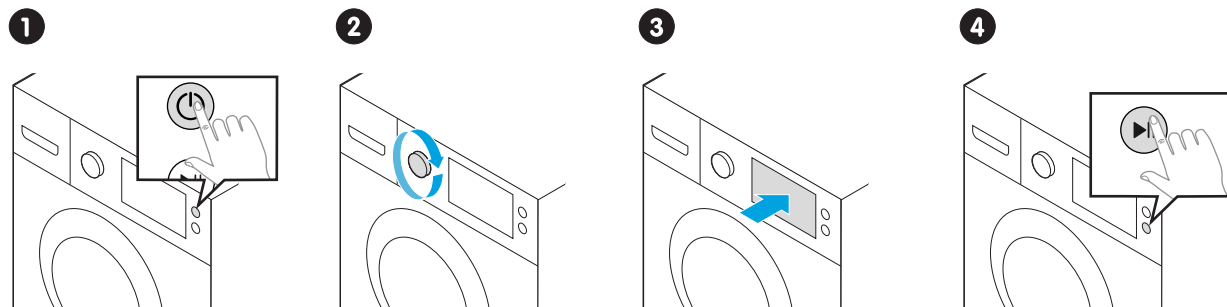
Ved å sørge for at produktet kasseres som det skal, bidrar du til hindre eventuell skade på miljø og mennesker, noe som kan skje hvis du kasserer det på annen måte. Kontakt lokale myndigheter med ansvar for avfallshåndtering, renovasjonsselskapet eller butikken der du kjøpte produktet hvis du ønsker mer informasjon om resirkulering av dette produktet.

HURTIGSTART

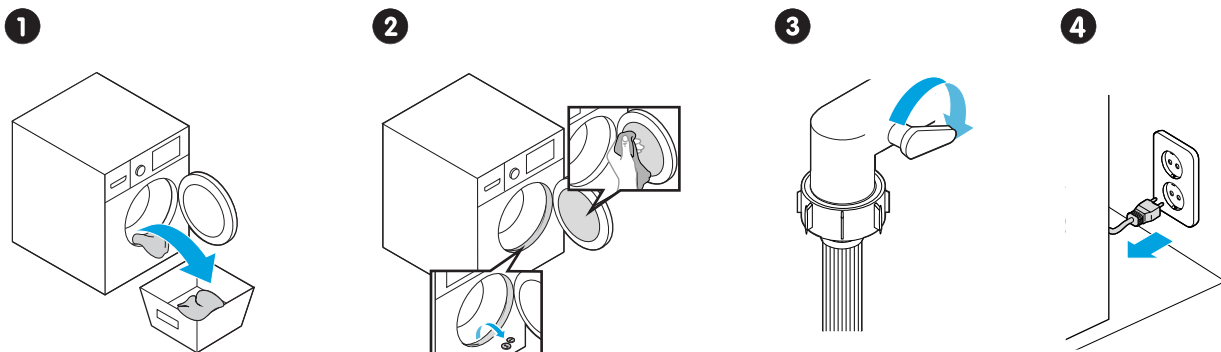
Før vask



Vask

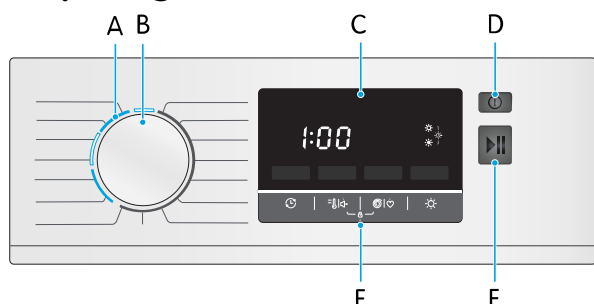


Etter vask



BLI KJENT MED VASKEMASKIN/TØRKETROMMEL

Betjeningselementer



- A. Vaske- og tørkeprogrammer
- B. Programvelger
- C. Display
- D. På/Av
- E. Start/Pause
- F. Alternativer, innstillinger og funksjoner

Symboler på displayet



Dørlås



Barnesikring



Tørkenivå: Normalt tørt

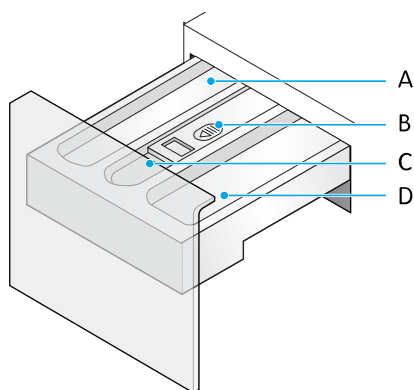


Tørkenivå: Ekstra tørt



Tørkenivå: Tørt med tidsinnstilling

Vaskemiddeldispenser



- A. Hovedvaskemiddel
- B. Vaskemiddellås (trykk ned for å fjerne dispensereren)
- C. Tøymykner
- D. Forvaskemiddel



ADVARSEL!

Brannfarlige, eksplosjonsfarlige eller giftige løsemidler er forbudt. Bensin eller alkohol osv. skal ikke brukes som vaskemiddel. Bruk bare vaskemidler som er egnet for maskinvask.

Vaskeprogrammer

| Vaskeprogram | Beskrivelse | Maks. last Vask | Maks. last Tørrking |
|-----------------|---|-----------------|---------------------|
| 1 h vask & tørk | Noen få plagg i syntetisk materiale. | 1,0 kg | 1,0 kg |
| 20 °C | 20 °C som standardtemperatur. Kaldt vann kan også velges. | 4,0 kg | – |

| Vaskeprogram | Beskrivelse | Maks. last Vask | Maks. last Tørking |
|---------------------|---|-----------------|--------------------|
| Bomull | For slitesterke, varmebestandige tekstiler av bomull og lin. | 8,0 kg | 6,0 kg |
| Kun tørking | Tørr klesvask. Velg blant ulike tørkenivåer. | – | 6,0 kg |
| ECO 40-60 | Anbefales for normalt skitten klesvask i bomull. Dette programmet kan vaske klær som er egnet for vask på 40 °C eller 60 °C i én omgang i samme syklus. | 8,0 kg | – |
| Intensiv | Vasketiden økes for bedre vaskeeffekt. | 8,0 kg | – |
| Jeans | Spesielt for jeans. | 8,0 kg | – |
| Blandede materialer | For blandet last med tekstiler i bomull og syntetiske materialer. | 8,0 kg | 6,0 kg |
| Kort 15 min | Ekstra hurtig program Egnert for små mengder lett tilsmusset klesvask. | 2,0 kg | 1,0 kg |
| Skylleprogram | Ekstra skylling og sentrifugering. | 8,0 kg | – |
| Sentrifugering | Ekstra sentrifugering med valgbar sentrifugeringsturtall. | 8,0 kg | – |
| Sportsklær | For vask av treningstøy. | 4,0 kg | – |
| Syntetisk | For vask av syntetiske plagg som skjorter, jakker og blandede tekstiler. Ved vask av strikkeplagg bør mengden vaskemiddel reduseres for å unngå at det dannes for mye skum. | 4,0 kg | 4,0 kg |
| Vask og tørk | Anbefales for normalt skitten klesvask i bomull. Tørker klesvasken tilstrekkelig til at den kan legges i skapet umiddelbart. | – | 6,0 kg |
| Ull | Hånd- eller maskinvaskbare plagg i ull eller ullblanding. Skånsomt vaskeprogram, laget for å unngå krymping. Inneholder lengre perioder uten trommelrotasjon. | 2,0 kg | – |

Alternativer, innstillinger og funksjoner



Barnesikring

Hindrer at maskinen brukes utilsiktet



Utsettelse

Utsetter starten av vaskeprogrammet med et spesifisert tidsrom. Maksimal utsettelse er 24 timer.



Tørkenivå

Angir et tørkenivå. Tiden som kreves for å nå spesifisert nivå, varierer mellom ulike programmer.



Last på nytt

Legg til tøy mens en vask pågår.



Sentrifugringsturtall, Mitt valg

- Sentrifugringsturtall: Justerer sentrifugeringshastigheten.
- Mitt valg: Lagrer din favorittkombinasjon av vaskeprogram og alternativer.



Temperatur, Demp/opphev demping

- Temperatur: Justerer temperaturen.
- Demp/opphev demping: Demper og opphever demping av lydsignalet.

Indhold

| | |
|--|-----------|
| LÆS DETTE! | 48 |
| SIKKERHED | 49 |
| Påmindelser | 49 |
| Tilsluttet anvendelse..... | 49 |
| Sikkerhed for børn og handicappede..... | 49 |
| Generel sikkerhed | 50 |
| Sikkerhed ved installation | 50 |
| Sikkerhed ved brug | 51 |
| Sikkerhed ved vedligeholdelse | 52 |
| Bortskaffelse..... | 53 |
| HURTIG START | 54 |
| LÆR DEN KOMBINEREDE VASKEMASKINE OG TØRRETUMBLER AT KENDE | 55 |
| Betjeningsknapper | 55 |
| Der vises symboler på displayet | 55 |
| Vaskemiddelautomat..... | 55 |
| Vaskeprogrammer | 55 |
| Valgmuligheder, indstillinger og funktioner | 56 |

LÆS DETTE!



ADVARSEL!

Læs sikkerhedsoplysningerne og den fulde vejledning, inden du installerer eller bruger dette produkt.

Find den fulde vejledning

Du kan finde de komplette og nyeste brugeroplysninger til din produktmodel på www.elvita.se. Denne omfatter oplysninger om installation, brug, vedligeholdelse og fejlfinding. Du skal bruge modelkoden til at søge efter oplysningerne.

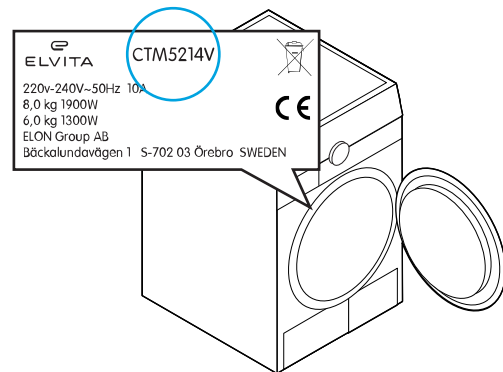
Find modelkoden

Modelkoden er trykt på en mærkat på maskinen.



BEMÆRK!

Denne maskine og mærkatteksten er eksempler. Maskinen og teksten kan se anderledes ud og have et andet indhold.



SIKKERHED

Læs nøje vejledningen før installation og brug af apparatet. Gem vejledningen, og opbevar den i nærheden af maskinen for nemt at kunne slå op i den. Alle typer garantier ugyldiggøres, hvis disse instruktioner ikke følges.

Påmindelser

**ADVARSEL!**

Anvendes, når der er risiko for personskader.

**FORSIGTIG!**

Anvendes, når der er risiko for beskadigelse af maskinen.

**BEMÆRK!**

Generelle oplysninger, som du skal være opmærksom på.



Nyttige tips, som kan være nyttige.

Tilsigtet anvendelse

Produktet er kun beregnet til:

- Indendørs brug i en husholdning eller husholdsmiljø som f.eks.:
 - medarbejderkøkkener i butikker, på kontorer og andre arbejdsmiljøer;
 - familiehuse,
 - af gæster på hoteller, moteller og andre beboelsesmiljøer,
 - bed and breakfast-miljøer.
- Vask af maskinvaskbart tøj og tekstil i en vaskemiddelopløsning.
- Vask med kommercielt tilgængelige vaskemidler med lav opskumning og plejeprodukter, der er egnet til brug i en forbetjent vaskemaskine eller kombineret vaskemaskine og tørretumbler.

Dette produkt er ikke beregnet til indbygning.

Sikkerhed for børn og handicappede

**ADVARSEL!**

Lad kun følgende grupper benytte apparatet, hvis de er under opsyn eller har fået anvisning i brug af produktet på sikker vis. De bør forstå de involverede risici.

- Børn. (Børn under 8 år skal være under konstant opsyn).
- Personer med nedsatte fysiske, sensoriske eller mentale evner.
- Personer med manglende erfaring og kendskab.

**ADVARSEL!**

- Lad aldrig børn lege med apparatet.
- Rengøring må ikke udføres af børn uden opsyn.

**ADVARSEL!**

Der er risiko for, at dyr og børn kan kravle ind i produktet. Kig inde i produktet, hver gang det bruges.

**ADVARSEL!**

Glaslågen kan blive meget varm under brug. Hold børn og kæledyr på god afstand fra produktet, når det er i brug.

Generel sikkerhed

**ADVARSEL!**

- Du må ikke vaske eller tørre genstande, der er rengjort i, vasket i, lagt i blød i eller duppet med brændbare eller eksplosive stoffer som f.eks. voks, olie, maling, benzin, affedtningsmidler, opløsningsmidler til kemisk rens, petroleum osv. Dette kan medføre brand eller eksplosioner.
- Sådanne genstande skal skylles grundigt i hånden, inden de vaskes.

**ADVARSEL!**

Risiko for elektrisk stød!

- Hvis strømledningen beskadiges, skal den udskiftes af producenten, dennes servicerepræsentant eller en tilsvarende autoriseret montør for at undgå fare.
- Hvis maskinen bliver beskadiget, må den ikke betjenes, før den er blevet repareret af producenten, dennes servicerepræsentant eller lignende kvalificerede personer.
- Før produktet rengøres eller vedligeholdes, skal produktet frakobles fra lysnettet.
- Brug ikke et stik med en nominel strøm, der er mindre end den for produktet.
- Træk aldrig stikket ud af kontakten med våde hænder.

**FORSIGTIG!**

- Du må ikke kravle op eller sidde oven på produktet.
- Læn dig ikke mod lågen på produktet.
- Luk ikke lågen med for stor kraft. Hvis det er svært at lukke lågen, skal du kontrollere, at der ikke er kommet vasketøj i klemme.
- Vask ikke tæpper i produktet.

**FORSIGTIG!**

Når produktet flyttes:

- Transportboltene skal genmonteres i maskinen af en korrekt kvalificeret person.
- Produktet skal tømmes helt for vand.
- Håndtér produktet forsigtigt. Hold aldrig i udstående dele på maskinen, når den løftes.
- Brug ikke produktets låge til at løfte det under transport.
- Dette produkt er tungt. Skal transporteres forsigtigt.

Sikkerhed ved installation

**ADVARSEL!**

Før produktet monteres, skal det kontrolleres for synlige udvendige skader. Hvis produktet er beskadiget, må det ikke monteres eller anvendes.

**ADVARSEL!**

Montér ikke maskinen

- i et badeværelse i en situation, hvor der er risiko for direkte kontakt med vand for eksempel vandstråle fra bruser, vand fra badekar eller i et meget vådt rum, eller et rum med høj fugtighed,
- i et lokale med eksplosive gasser eller ætsende gasser, eller
- bag en dør, der kan låses, en skydedør eller en dør med et hængsel på modsatte side af produktet.

**ADVARSEL!**

Der skal sørges for tilstrækkelig ventilation for at undgå tilbagestrømning af gas i lokalet fra apparater, der brænder andre brændstoffer, herunder åben ild.

**ADVARSEL!**

- Fjern al emballage og transportbolte, før produktet anvendes. Ellers kan det medføre alvorlig beskadigelse.
- Hold al emballage på god afstand af børn. Der er risiko for kvælning!

**ADVARSEL!**

- Sørg for, at produktet tilsluttes til vand og el af en korrekt kvalificeret person i henhold til producentens vejledning og lokale sikkerhedsbestemmelser.
- Hvis ledningen beskadiges, skal den udskiftes af producenten, producentens servicerepræsentant eller en tilsvarende autoriseret montør for at undgå fare.
- Sørg for at tilslutte strømstikket til en jordet trepolet stikkontakt. Kontrollér omhyggeligt, at kontakten er korrekt og sikkert jordet.
- Sørg for, at strømstikket på maskinen er tilgængeligt efter installation, og at maskinen ikke står på strømledningen.
- Når maskinen sættes i vater, skal låsemøtrikkerne på alle fire fødder skrues stramt ind mod kabinettet.
- Hvis det er relevant, skal du sørge for, at ventilationsåbningerne i soklen på produktet ikke er blokeret af f.eks. et tæppe.
- Brug de nye slangesæt, der leveres sammen med produktet. Genbrug ikke de gamle slangesæt.

**FORSIGTIG!**

- Indløbsslangen skal tilsluttes til en koldtvandshane.
- Vandindløbsslangen må ikke knækkes, sammenpresses, ændres eller overskæres.
- Afløbsslangen må ikke knækkes eller strækkes.
- Placér afløbsslangen korrekt, da den kan medføre vandlækage, hvis den beskadiges.
- Hvis afløbsslangen er for lang, må du ikke tvinge den ind i maskinen, da det kan medføre unormal støj.

**FORSIGTIG!**

- Inden produktet anvendes første gang, skal det kalibreres.
- Inden der vaskes vasketøj første gang, skal der køres et helt vaskeprogram uden vasketøj i tromlen.

Sikkerhed ved brug

**ADVARSEL!**

Før produktet anvendes, skal det monteres korrekt.

**ADVARSEL!**

- Brændbare, eksplosive eller giftige opløsningsmidler er forbudt. Benzin og alkohol osv. må ikke bruges om vaskemidler. Brug kun vaskemidler, der er velegnet til maskinvask.

**ADVARSEL!**

- Frakobl altid produktet og sluk for vandforsyningen efter brug.

**ADVARSEL!**

- Sørg for at undgå skoldning, når produktet tømmes for varmt vand.
- Hvis produktet har en funktion, der giver mulighed for at sætte et vaskeprogram på pause og lægge mere tøj i, må du ikke bruge denne funktion, når vandniveauet er over kanten på den indvendige tromle eller temperaturindstillingen er høj.
- Når tromlen stadig drejer rundt og der er en stor mængde varmet vand i tromlen, er det ikke sikkert at åbne lågen, og lågen kan ikke åbnes med magt.
- Fyld aldrig mere vand i under en vask.

**ADVARSEL!**

Risiko for eksplosion og brand!

- Fjern alle genstande fra lommerne, især lightere, tændstikker og lignende, før du tørrer tøj.
- Hvis det ikke kan undgås at tørre genstande, der er beskidte med stoffer som f.eks. madolie, planteolie, hårplejeprodukter, acetone, alkohol, benzin, petroleum, pletfjerner, terpentin, voks og voks fjerner, da sådanne genstande skal vaskes i varmt vand med ekstra vaskemiddel inden tørring. Dette formindsker, men fjerner ikke, risikoen.
- Håndvaskede genstande skal skylles grundigt med vand, inden de tørrer.
- Brug ikke produktet, hvis det er rengjort med industrikemikalier.
- Stop ikke en tørrecyklus, før cyklussen er fuldført, medmindre alle genstande tages hurtigt ud og spredes ud, så varmen fordeles.
- Sørg for, at produktets åbninger ikke er blokeret.
- Produktets frihøjde må ikke formindskes ved hjælp af langluvede tæpper, trælistor eller lignende. Dette kan skabe en varmeudvikling, som kan forstyrre produktets funktion.
- Der må ikke samle sig fnug omkring produktet.

**ADVARSEL!**

Risiko for eksplosion og brand! Følgende må ikke tørrer i produktet.

- Genstande, der ikke er vasket.
- Genstande såsom
 - skumgummi (latexskum),
 - badehætter
 - imprægnerede tekstiler,
 - gummibeklædte genstande og
 - tøj eller puder med skumgummipuder.
- Genstande, der er rengjort i, vasker i, lagt i blød i eller duppet med brændbare eller eksplosive stoffer som f.eks.
 - voks,
 - olie,
 - maling,
 - benzin,
 - affedningsmidler,
 - opløsningsmidler til kemisk rens,
 - petroleum.

**FORSIGTIG!**

- Når et vaskeprogram er fuldført:
 - Vent to minutter, før lågen åbnes, og
 - kontrollér, om vandet inde i tromlen er løbet ud, inden du åbner lågen. Åbn ikke lågen, hvis der kan ses vand i tromlen.

**FORSIGTIG!**

- Skarpe og stive genstande, f.eks. mønter, brocher, negle, skruer eller sten osv., kan beskadige denne maskinen alvorligt. Sørg for, at alle lommer er tømt.

Sikkerhed ved vedligeholdelse

**ADVARSEL!**

- Reparationer må kun udføres af autoriserede reparatører.
- Hvis du har problemer med produktet, som fejlfindingsoplysninger i den komplette manual ikke kan hjælpe dig med at læse, skal du slukke produktet, trække stikket ud af kontakten, lukke for vandforsyningen og kontakte support og service.

**ADVARSEL!**

Sluk for strømforsyningen og vandforsyningen til produktet, før der udføres vedligeholdelse.

**ADVARSEL!**

Under brug kan der være varmt vand i drænpumpen. Fjern aldrig pumpedækslet, mens maskinen vasker. Vent altid, indtil produktet har fuldført cyklussen og al vandet er tømt ud.

**FORSIGTIG!**

- Brug ikke opløsningsmidler, alkohol, produkter, der indeholder myresyre, slibende rengøringsmidler, glasrensere eller universalrengøringsmidler til at rengøre dette produkt. Plastoverflader og andre dele kan blive beskadiget.
- Brug handsker ved rengøring af produktet.
- Der er risiko for vandlækage, hvis pumpedækslet ikke genmonteres korrekt efter rengøring af drænpumpefilteret.

Bortskaffelse



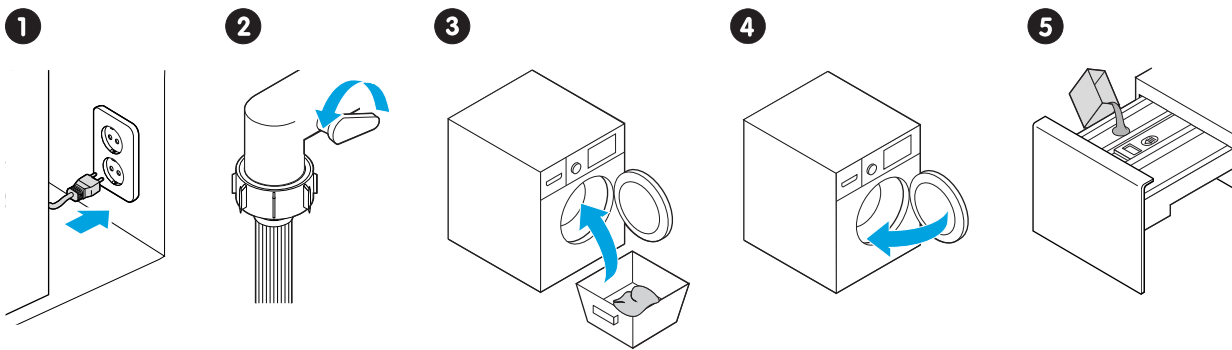
Bortskaf emballagen på miljøvenlig vis. Genanvendelse af emballage under overholdelse af nationale og lokale bestemmelser kan formindske forbruget af råmaterialer og mængde af affald på deponeringssteder.

Dette produkt er mærket i overensstemmelse med det Europæiske Direktiv 2012/19/EF for affald af elektrisk og elektronisk udstyr (WEEE). Symbolet på apparatet eller dets emballage angiver, at det ikke må behandles som husholdningsaffald. Det skal i stedet afleveres på en genbrugsstation, som er godkendt til håndtering af elektrisk og elektronisk udstyr.

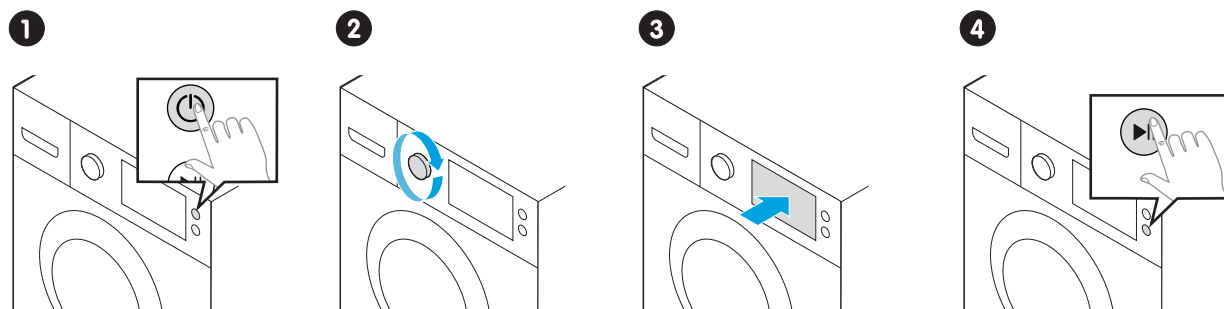
Ved at bortskaffe produktet korrekt er du med til at forebygge negative effekter på miljøet og menneskers sundhed, som forkert affaldshåndtering af produktet ellers kunne forårsage. Du kan få flere oplysninger om bortskaffelse og genvinding af produktet ved at kontakte din kommune eller genbrugsstation, eller den forretning, hvor du købte produktet.

HURTIG START

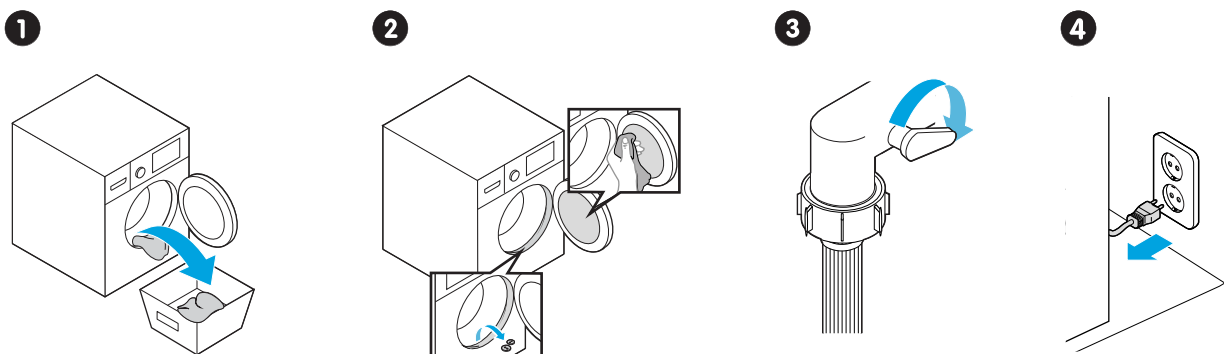
Før vask



Vask

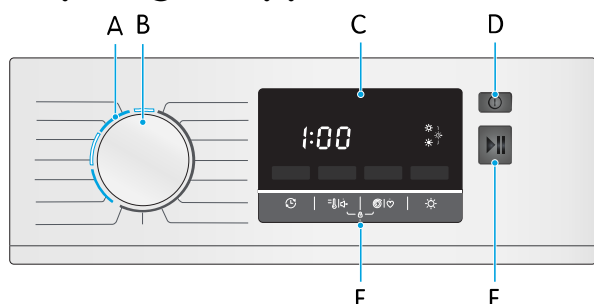


Efter vask



LÆR DEN KOMBINEREDE VASKEMASKINE OG TØRRETUMBLER AT KENDE

Betjeningsknapper



- A. Vaske- og tørreprogrammer
- B. Programvælger
- C. Display
- D. Tænd/sluk
- E. Start/Pause
- F. Valgmuligheder, indstillinger og funktioner

Der vises symboler på displayet



Lågelås



Børnesikring



Tørhedsniveau:
Almindeligt tørt

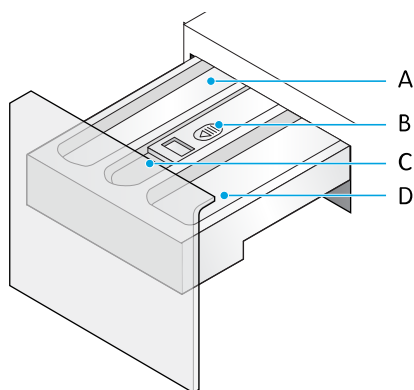


Tørhedsniveau: Ekstra
tørt



Tørhedsniveau: Timet
tørring

Vaskemiddelautomat



- A. Primært vaskemiddel
- B. Vaskemiddellås (skub ned for at tage automaten ud)
- C. Skyllemiddel
- D. Forvaskemiddel



ADVARSEL!

Brændbare og eksplosive eller giftige opløsningsmidler er forbudt. Benzin og alkohol osv. må ikke bruges om vaskemidler. Brug kun vaskemidler, der er velegnet til maskinvask.

Vaskeprogrammer

| Vaskeprogram | Beskrivelse | Maks. vægt Vasker | Maks. vægt Tørring |
|--------------------|---|----------------------|-----------------------|
| 1 h vask & tørring | Til en lille mængde syntetisk tøj. | 1,0 kg | 1,0 kg |
| 20 °C | 20 °C som standardtemperatur. Der kan også vælges koldt vand. | 4,0 kg | – |

| Vaskeprogram | Beskrivelse | Maks. vægt Vasker | Maks. vægt Tørring |
|-----------------|---|----------------------|-----------------------|
| Bomuld | Til slidstærke tekstiler af bomuld eller lærred. | 8,0 kg | 6,0 kg |
| Kun tørring | Tørt vasketøj. Vælg mellem forskellige tørhedsniveauer. | – | 6,0 kg |
| ECO 40-60 | Anbefales til normalt beskidt bomuldsvasketøj. Dette program kan vaske vasketøj, der er angivet til at kunne vaskes ved 40 °C eller 60 °C på én gang i samme cyklus. | 8,0 kg | – |
| Intensiv | Vasketiden forlænges for at forbedre vaskevirkningen. | 8,0 kg | – |
| Jeans | Især til jeans. | 8,0 kg | – |
| Materiemix | Til blandet vasketøj, der består af tekstiler af bomuld og syntetiske stoffer. | 8,0 kg | 6,0 kg |
| Kort 15 min. | Ekstra-kvikvask. Velegnet til små mængde let beskidt vasketøj. | 2,0 kg | 1,0 kg |
| Skylleprogram | Ekstra skylning og centrifugering. | 8,0 kg | – |
| Centrifugering | Ekstra centrifugering med valgbar centrifugeringshastighed. | 8,0 kg | – |
| Sportstøj | Til vask af aktivitetstøj. | 4,0 kg | – |
| Syntetisk | Til vask af syntetiske genstande som f.eks. skjorter, frakker og blandede stoffer. Når der vaskes striktøj, skal mængden af vaskemiddel formindskes for at undgå for stor opskumning. | 4,0 kg | 4,0 kg |
| Vask og tørring | Anbefales til normalt beskidt bomuldsvasketøj. Gør vasketøjet tørt nok til at blive lagt direkte ind i skabet. | – | 6,0 kg |
| Uld | Uld- eller uldrige tekstiler, der kan vaskes i hånden eller maskine. Skånsomt vaskeprogram beregnet til at forhindre krympning. Indbefatter længere perioder uden tromlerotation. | 2,0 kg | – |

Valgmuligheder, indstillinger og funktioner



Børnesikring

Forhindrer utilsigtet brug af maskinen.



Forsinkelse

Forsinker starten af vaskeprogrammet med et angivet tidsinterval. Maximum delay time is 24 hours.



Tørhedsniveau

Angiver et tørhedsniveau. Den tid, der tager at nå det angivne niveau, afhænger af programmet.



Genfyld

Læg ekstra tøj i under en vask.

**Centrifugeringsskøjter, Mit valg**

- Centrifugeringsskøjter: Justerer centrifugeringshastigheden.
- Mit valg: Gemmer din yndlingskombination af vaskeprogram og valgmuligheder.

**Temperatur, Lyd fra/til**

- Temperatur: Justerer temperaturen.
- Lyd fra/til: Slår lydsignalet til og fra.

Sisällysluettelo

| | |
|---|-----------|
| LUE TÄMÄ! | 60 |
| TURVALLISUUS | 61 |
| Huomautukset..... | 61 |
| Aiottu käyttötarkoitus..... | 61 |
| Lasten ja vajaakykyisten henkilöiden turvallisuus | 61 |
| Yleinen turvallisuus..... | 62 |
| Turvallisuus asennuksen aikana | 62 |
| Turvallisuus käytön aikana | 63 |
| Turvallisuus huollon aikana..... | 64 |
| Hävittäminen..... | 65 |
| PIKAOPAS | 66 |
| PESUKONE-KUIVAUSRUMPUUN TUTUSTUMINEN | 67 |
| Säätimet..... | 67 |
| Näytön symbolit | 67 |
| Pesuaineen annostelija | 67 |
| Pesuohjelmat..... | 67 |
| Lisävalinnat, asetukset ja toiminnot..... | 68 |

LUE TÄMÄ!



VAROITUS!

Lue turvallisuustiedot ja ohjeet kokonaisuudessaan ennen tämän tuotteen asentamista tai käyttämistä.

Löydä ohjeet kokonaisuudessaan

Täydet ja uusimmat käyttöohjeet tuotemallillesi löytyvät verkkosivulta www.elvita.se. Tiedot sisältävät yksityiskohtaiset tiedot asentamisesta, käytöstä, huollosta ja vianmäärityksestä. Tarvitset mallikoodia tietojen löytämiseen.

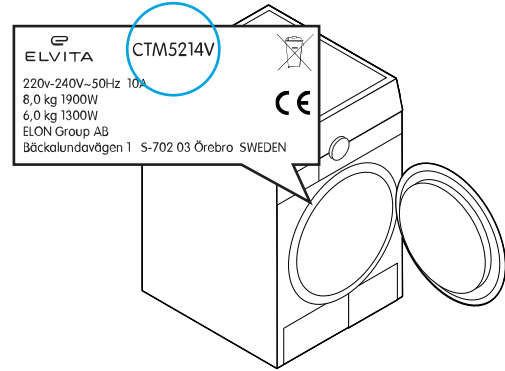
Etsi mallikoodi

Mallikoodi on painettu tuotteessa olevaan kilpeen.



HUOMAA!

Tämä tuote ja merkinnän teksti ovat esimerkkejä. Tuotteesi ja tekstisi voivat olla ulkoasultaan ja sisällöltään erilaisia.



TURVALLISUUS

Lue ohjeet huolellisesti ennen tuotteen asentamista ja käyttämistä. Säilytä ohjeet ja pidä ne lähellä tuotetta tulevaa käyttöä varten. Kaikki takuut raukeavat, jos näitä ohjeita ei noudateta.

Huomautukset

**VAROITUS!**

Käytetään, kun henkilövahinkojen riski on olemassa.

**OLE VAROVAINEN!**

Käytetään, kun tuotteen vahingoittumisen riski on olemassa.

**HUOMAA!**

Yleisiä tietoja, jotka käyttäjän tulee tietää.



Vinkkejä, joista voi olla hyötyä.

Aiottu käyttötarkoitus

Tämä tuote on tarkoitettu vain seuraaviin käyttötarkoituksiin:

- Sisäkäyttö kotitaloudessa tai kodinomaisessa ympäristössä, kuten:
 - kauppojen, toimistojen ja muiden työpaikkojen henkilöstön keittiötilat
 - kodit
 - asiakaskäyttö hotelleissa, motelleissa ja muissa majoitustiloissa
 - aamiaismajoituspaikoissa.
- Konepestävien vaatteiden ja tekstiilien pesu pesuaineliuoksessa.
- Pesu kuluttajakäyttöön myytävillä vähän vaahtoavilla pesuaineilla ja hoitotuotteilla, jotka sopivat käytettäväksi edestä täytettävässä pesukoneessa tai pesukone-kuivausrummussa.

Tätä tuotetta ei ole tarkoitettavaksi integroitavaksi kaappiin.

Lasten ja vajaakykyisten henkilöiden turvallisuus

**VAROITUS!**

Anna seuraaviin ryhmiin kuuluvien henkilöiden käyttää tuotetta vain, jos he ovat valvonnassa tai jos heille on annettu ohjeet tuotteen turvallisista käyttötavoista. Heidän on ymmärrettävä käyttöön liittyvät vaarat.

- Lapset. (Alle 8-vuotiaiden lasten tulee olla jatkuvassa valvonnassa.)
- Henkilöt, joilla on rajallinen fyysinen, aisti- tai henkinen kapasiteetti.
- Henkilöt, joilla ei ole kokemusta ja osaamista.

**VAROITUS!**

- Älä anna lasten leikkiä tuotteella.
- Älä anna lasten puhdistaa tuotetta ilman valvontaa.

**VAROITUS!**

Vaarana on, että eläimet ja lapset saattavat kiivetä tuotteen sisään. Tarkista laitteen sisus aina ennen käyttöä.

**VAROITUS!**

Lasiluukku voi tulla erittäin kuumaksi käytön aikana. Pidä lapset ja lemmikit erossa tuotteesta käytön aikana.

Yleinen turvallisuus

**VAROITUS!**

- Älä pese tai kuivaa tekstiilejä, jotka on puhdistettu, pesty, liotettu tai kostutettu syttyvillä tai räjähtävillä aineilla, kuten vahalla, öljyllä, maalilla, bensiinillä, rasvanpoistoaineilla, kuivapesuliuottimilla, kerosiinilla jne. Seurauksena voi olla tulipalo tai räjähdys.
- Huuhtelee tällaiset pyykki huolellisesti käsin ennen pesemistä.

**VAROITUS!**

Sähköiskun vaara!

- Vahingoittuneen virtajohdon saa turvallisuussyistä vaihtaa vain valmistaja tai sen valtuuttama huoltoliike tai vastaava pätevä asiantuntija.
- Jos kone on vaurioitunut, sitä ei saa käyttää, ellei valmistaja, sen valtuutettu huoltoyritys tai vastaavat pätevät henkilöt ole korjanneet sitä.
- Ennen tuotteen puhdistusta tai huoltotöiden tekemistä irrota tuote verkkovirrasta.
- Älä käytä pistoketta, jonka nimellisvirta on pienempi kuin tuotteen.
- Älä koskaan vedä virtapistoketta pistorasiasta märillä käsillä.

**OLE VAROVAINEN!**

- Älä kiipeä tai istu tuotteen päälle.
- Älä nojaa tuotteen luokkuun.
- Älä sulje ovea liian suurella voimalla. Jos luukun sulkeminen on vaikeaa, tarkista, ettei pyykkiä ole sen välissä.
- Älä pese mattoja tuotteessa.

**OLE VAROVAINEN!**

Tuotetta siirtäessä:

- Asianmukaisesti pätevän henkilön on asennettava kuljetuspultit takaisin koneeseen.
- Koneessa mahdollisesti oleva vesi on poistettava koneesta.
- Käsittele tuotetta varoen. Älä koskaan nosta konetta ulostyöntöviiden osien varassa.
- Älä käytä tuotteen luukkuja sen nostamiseen kuljetuksen aikana.
- Tämä tuote on painava. Kuljeta varoen.

Turvallisuus asennuksen aikana

**VAROITUS!**

Ennen tuotteen asennusta tarkasta se ulkoisesti näkyvien vaurioiden varalta. Älä asenna tai käytä vaurioitunutta tuotetta.

**VAROITUS!**

Älä asenna konetta

- kylpyhuoneessa tilanteessa, jossa on riski suorasta kosketuksesta veden kanssa, esimerkiksi vesisuihku suihkusta, vesi kylpyammeesta tai erittäin märkä huone tai huone, jossa on suuri ilmankosteus.
- tilaan, jossa on räjähdysvaarallisia tai syövyttäviä kaasuja tai
- lukittavan oven, liukuoven tai tuotteesta katsoen vastakkaisella puolella olevalla saranalla varustetun oven taakse.

**VAROITUS!**

Riittävä ilmanvaihto tarvitaan, jotta kaasut eivät virtaa takaisin tilaan muita polttoaineita polttavista laitteista, avotuli mukaan luettuna.

**VAROITUS!**

- Ota kaikki pakkausmateriaalit ja kuljetuspultit pois ennen tuotteen käyttöä. Muuten seurauksena voi olla vakava vahinko.
- Pidä kaikki pakkausmateriaalit poissa lasten ulottuvilta. Tukehtumisvaara!

**VAROITUS!**

- Varmista, että asianmukaisen pätevyyden omaava henkilö on kytkenyt tuotteen vesi- ja sähköverkkoon valmistajan ohjeiden ja paikallisten turvallisuusmääräysten mukaisesti.
- Vahingoittuneen virtajohdon saa turvallisuussyistä vaihtaa vain valmistaja tai valmistajan valtuuttama huoltoliike tai vastaava pätevä asiantuntija.
- Kytke virtapistoke maadoitettuun kolminapaiseen pistorasiaan. Tarkista huolellisesti, että pistorasia on asianmukaisesti ja luotettavasti maadoitettu.
- Tarkista, että koneen virtapistoke on ulottuvilla asennuksen jälkeen ja ettei kone ole virtajohdon päällä.
- Kun asetat konetta vaakasuoraan, kaikkien neljän jalan lukitusmutterit on kiristettävä tiukasti koteloa vasten.
- Tarviittaessa varmista, että esimerkiksi matto ei tuki tuotteen pohjassa olevia ilmanvaihtoaukkoja.
- Käytä tuotteen mukana toimitettuja uusia letkusarjoja. Älä käytä vanhoja letkusarjoja uudelleen.

**OLE VAROVAINEN!**

- Tuloletku on kytkettävä kylmän veden vesijohtoverkkoon.
- Älä taivuta, purista tai irrota veden tuloletkua.
- Älä taivuta tai venytä poistoletkua.
- Vedä poistoletku asianmukaisesti, sillä se voi aiheuttaa vesivuodon vaurioituneena.
- Jos poistoletku on liian pitkä, älä tunge sitä väkisin koneen sisään, sillä tämä aiheuttaa epätavallisia ääniä.

**OLE VAROVAINEN!**

- Tuote on kalibroitava ennen sen ensimmäistä käyttökertaa.
- Ennen kuin peset pyykkiä ensimmäistä kertaa, pesuohjelma on suoritettava loppuun rumpu tyhjänä.

Turvallisuus käytön aikana

**VAROITUS!**

Ennen tuotteen käyttämistä varmista, että se on asennettu oikein.

**VAROITUS!**

- Syttyvät, räjähtävät tai myrkylliset liuottimet ovat kiellettyjä. Bensiiniä ja alkoholia tms. ei saa käyttää pesuaineena. Käytä vain konepesuun sopivia pesuaineita.

**VAROITUS!**

- Irrota tuotteen virtapistoke ja katkaise veden syöttö aina käytön jälkeen.

**VAROITUS!**

- Varo palovammoja, kun kuuma vesi poistuu tuotteesta.
- Jos tuotteessa on toiminto, jolla voi tauottaa pesuohjelman ja lisätä lisää vaatteita, älä käytä toimintoa, kun veden pinta on yli sisärummun kehän tai lämpötila-asetus on korkea.
- Kun rumpu pyörii edelleen ja rummussa on paljon kuumaa vettä, luukun avaaminen ei ole turvallista, eikä luukua voi avata väkisin.
- Älä koskaan lisää vettä käsin pesun aikana.

**VAROITUS!**

Räjähdys- ja tulipalovaara!

- Poista ennen vaatteiden kuivaamista kaikki tavarat taskuista, erityisesti sytyttimet, tulitikut ja vastaavat.
- Jos esimerkiksi ruokaöljyllä, kasviöljyllä, hiustenhoitotuotteilla, asetonilla, alkoholilla, bensiinillä, kerosiinilla, tahranpoistoaineilla, tärpätillä, vahalla ja vahanpoistotuotteilla likaantuneiden tekstiilien kuivaamista ei voida välttää, kyseiset tekstiilit on pestävä kuumassa vedessä ylimääräisen pesuainemäärän kanssa ennen kuivaamista. Tämä vähentää vaaraa, muttei poista sitä kokonaan.
- Käsin pestyt tekstiilit on huuhdeltava perusteellisesti vedellä ennen niiden kuivaamista.
- Älä käytä tuotetta, jos se on puhdistettu teollisuuskemikaaleilla.
- Älä pysäytä kuivaussykliä ennen syklin loppua, ellei kaikkea pyykkiä oteta nopeasti pois ja levitetä niin, että lämpö haihtuu.
- Tarkista, etteivät tuotteen aukot ole tukossa.
- Älä rajoita rakoa lattiaan paksuilla kokolattiamatoilla, puulistoilla tai vastaavilla. Tämä voi aiheuttaa lämmön kertymistä, mikä häiritsee tuotteen toimintaa.
- Tuotteen ympärille ei saa päästää kertymään nukkaa.

**VAROITUS!**

Räjähdys- ja tulipalovaara! Älä kuivaa seuraavia tuotteessa.

- Pesemättömät tekstiilit.
- Esimerkiksi
 - vaahtomuovi (lateksivaahto)
 - suihkumyssyt
 - vedenkestävät tekstiilit,
 - kumitaustaiset tuotteet ja
 - vaatteet tai tyynyt, joissa on vaahtomuovipehmusteita.
- Tekstiilit, jotka on puhdistettu, pesty, liotettu tai kostutettu syttyvillä tai räjähtävillä aineilla, kuten
 - vaha,
 - öljy,
 - maali,
 - bensiini,
 - rasvanpoistoaineet,
 - kuivapesuliuottimet,
 - kerosiini.

**OLE VAROVAINEN!**

- Kun pesuohjelma on valmis:
 - odota kaksi minuuttia ennen luukun avaamista ja
 - tarkista, onko rummun sisällä oleva vesi poistunut, ennen kuin avaat luukun. Älä avaa luukkuu, jos vettä näkyy.

**OLE VAROVAINEN!**

- Terävät ja lujat esineet, kuten kolikot, rintaneulat, naulat, ruuvit, kivet jne., voivat aiheuttaa vakavia vaurioita tälle koneelle. Tarkista, että kaikki taskut ovat tyhjiä.

Turvallisuus huollon aikana

**VAROITUS!**

- Vain valtuutetut asentajat saavat tehdä korjauksia.
- Jos kohtaat tuotteen käytössä ongelmia, joita kattavan käyttöohjeen vianmäärittystiedot eivät auta ratkaisemaan, sammuta virta tuotteesta, irrota se virtalähteestä, kytke veden syöttö pois ja ota yhteyttä tukeemme.

**VAROITUS!**

Kytke virran ja veden syöttö tuotteeseen pois ennen minkään huoltotoimien tekemistä.

**VAROITUS!**

Käytön aikana poistopumpussa voi olla kuumaa vettä. Älä koskaan irrota pumpun kantta pesusyklin aikana, odota aina, että tuote on saanut syklin loppuun ja kaikki vesi on tyhjennetty.

**OLE VAROVAINEN!**

- Älä käytä tämän tuotteen puhdistamiseen liuottimia, alkoholia, muurahaishappoa sisältäviä tuotteita, hankaavia puhdistusaineita, lasinpuhdistusaineita tai yleispuhdistusaineita. Muovipinnat ja muut osat voivat vahingoittua.
- Käytä käsineitä, kun puhdistat tuotetta.
- Jos pumpun kantta ei asenneta oikein takaisin poistopumpun suodattimen puhdistuksen jälkeen, tästä aiheutuu vesivuodon riski.

Hävittäminen



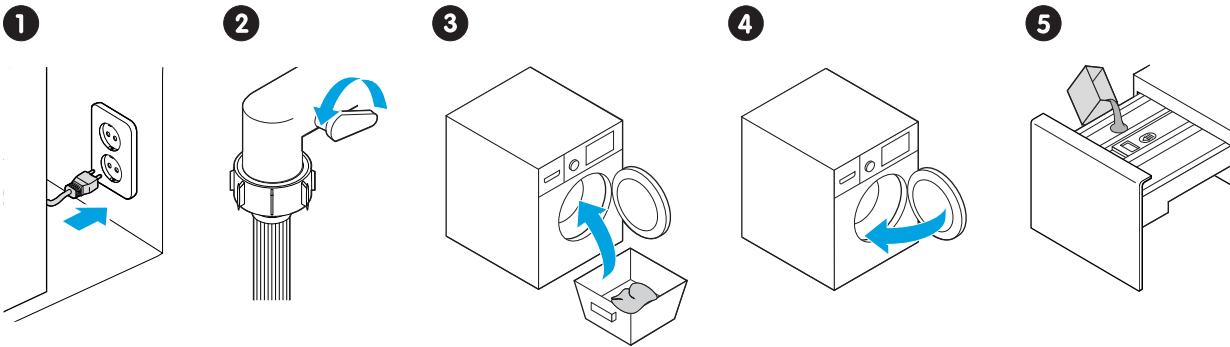
Hävitä pakkaus ympäristöystävällisesti. Kansallisten ja paikallisten määräysten mukainen pakkausten kierrättäminen voi vähentää raaka-aineiden kulutusta ja kaatopaikoille päätyvän jätteen määrää.

Tämä tuote on merkitty eurooppalaisen sähkö- ja elektroniikkalaiteromua koskevan direktiivin 2012/19/EU mukaisesti. Tuotteessa tai sen pakkauksessa oleva symboli osoittaa, ettei tätä tuotetta tule hävittää kotitalousjätteenä. Sen sijaan se tulee toimittaa asianmukaiseen keräyspisteeseen sähkö- ja elektroniikkalaiteromun kierrätykseen.

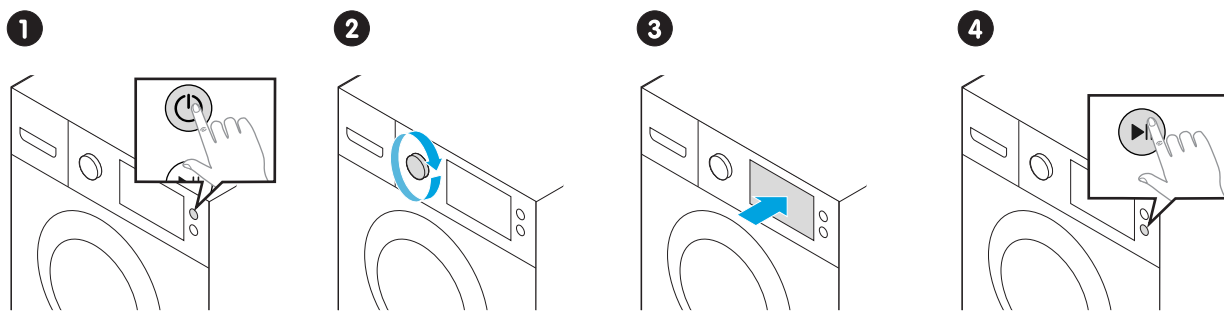
Varmistamalla tuotteen asianmukaisen hävittämisen autat estämään ympäristölle ja ihmisten terveydelle aiheutuvia haitallisia vaikutuksia, joita voi aiheutua tämän tuotteen epäasianmukaisesta hävittämisestä. Lisätietoja tämän laitteen kierrätyksestä saat ottamalla yhteyttä paikalliseen jätehuollosta vastaavaan viranomaiseen, jätehuoltopalveluusi tai tuotteen myyneeseen liikkeeseen.

PIKAOPAS

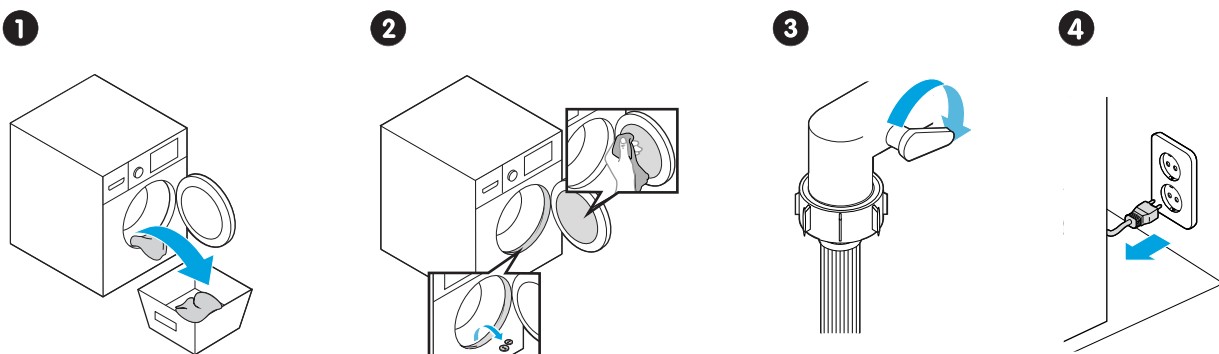
Ennen pesua



Pesu

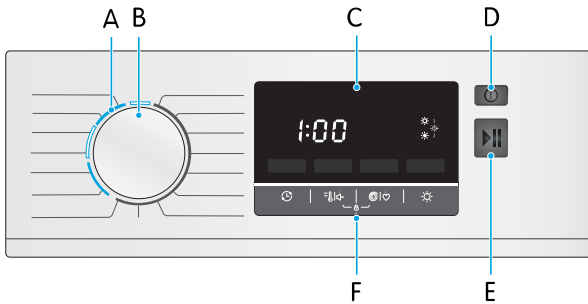


Pesun jälkeen



PESUKONE-KUIVAUSRUMPUUN TUTUSTUMINEN

Säätimet



- A. Pesu- ja kuivausohjelmat
- B. Ohjelmanvalitsin
- C. Näyttö
- D. Virtakatkaisin
- E. Käynnistys/keskeytys
- F. Lisävalinnat, asetukset ja toiminnot

Näytön symbolit



Luukun lukko



Lapsilukko



Kuivuustaso:
Normaalikuiva

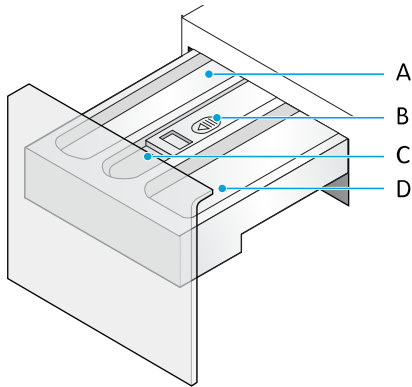


Kuivuustaso: Erittäin
kuiva



Kuivuustaso: Ajustettu
kuivaus

Pesuaineen annostelija



- A. Pääpesun pesuaine
- B. Pesuainelukko (irrota annostelija painamalla alas)
- C. Huuhteluaine
- D. Esipesun pesuaine



VAROITUS!

Syttyvät ja räjähtävät tai myrkylliset liuottimet ovat kiellettyjä. Bensiiniä ja alkoholia tms. ei saa käyttää pesuaineena. Käytä vain konepesuun sopivia pesuaineita.

Pesuohjelmat

| Pesuohjelma | Kuvaus | Pyykin enimmäismäärä Pesu | Pyykin enimmäismäärä Kuivaus |
|--------------------|--|---------------------------|------------------------------|
| 1 h pesu & kuivaus | Pienelle määrälle tekokuituvaatteita. | 1,0 kg | 1,0 kg |
| 20 °C | 20 °C oletuslämpötilana. Myös kylmän veden voi valita. | 4,0 kg | – |
| Puuvilla | Kulutusta ja lämpöä kestäville puuvilla- tai pellavatekstiileille. | 8,0 kg | 6,0 kg |
| Vain kuivaus | Kuiva pyykki. Valitse eri kuivuustasoista. | – | 6,0 kg |
| ECO 40-60 | Suosittelaa normaaliliskaiselle puuvillapyykille. Tämä ohjelma pystyy pesemään hoito-ohjeiden mukaan 40 °C:ssa tai 60 °C:ssa pestävän pyykin kerralla samassa syklissä. | 8,0 kg | – |
| Tehopesu | Pesuaika pitenee paremman pesutuloksen saamiseksi. | 8,0 kg | – |
| Farkut | Eryyisesti farkuille. | 8,0 kg | – |
| Sekoitekankaat | Sekapyykille, joka sisältää puuvilla- ja tekokuitutekstiilejä. | 8,0 kg | 6,0 kg |
| Lyhyt 15 min | Superpikaohjelma. Sopii pienille määrille vähän likaantunutta pyykkiä. | 2,0 kg | 1,0 kg |
| Huuhtelu | Lisähuuhtelu ja linkous. | 8,0 kg | – |
| Linkous | Lisälinkous valittavalla linkousnopeudella. | 8,0 kg | – |
| Urheiluvaatteet | Urheiluvaatteiden pesuun. | 4,0 kg | – |
| Tekokuitu | Tekokuitujen, kuten paitojen, takkien ja sekoitekankaiden pesemiseen. Neulevaatteita pestäessä pesuaineen määrä tulee vähentää liiallisen vaahdoamisen välttämiseksi. | 4,0 kg | 4,0 kg |
| Pesu ja kuivaus | Suosittelaa normaaliliskaiselle puuvillapyykille. Jättää pyykin niin kuivaksi, että sen voi laittaa heti kaappiin. | – | 6,0 kg |
| Villa | Käsin- tai konepestävä villa tai paljon villaa sisältävät tekstiilit. Hellävarainen pesuohjelma, joka on suunniteltu estämään kutistuminen. Sisältää pidempiä jaksoja ilman rummun pyörimistä. | 2,0 kg | – |

Lisävalinnat, asetukset ja toiminnot



Lapsilukko

Estää koneen tahattoman käytön.



Viive

Viivästyttää pesuohjelman alkua määritetyllä ajalla. Viiveaika on enintään 24 tuntia.



Kuivuustaso

Asettaa kuivuustason. Määritetyn tason saavuttamiseen kuluva aika vaihtelee eri ohjelmien välillä.



Lisää pyykkiä

Lisää pyykkiä pesun aikana.

**Linkousnopeus, Oma valinta**

- Linkousnopeus: Säättää linkousnopeutta.
- Oma valinta: Tallentaa pesuohjelman ja lisävalintojen suosikkiyhdistelmäsi.

**Lämpötila, Mykistä/poista mykistys**

- Lämpötila: Säättää lämpötilaa.
- Mykistä/poista mykistys: Mykistää äänimerkin tai ottaa sen käyttöön.

Efnisyfirlit

| | |
|--|-----------|
| LESTU ÞETTA! | 72 |
| ÖRYGGI | 73 |
| Viðvaranir | 73 |
| Ætluð notkun | 73 |
| Öryggi fyrir börn og fólk með fötlun | 73 |
| Almennt öryggi..... | 74 |
| Öryggi við uppsetningu..... | 74 |
| Öryggi við notkun..... | 75 |
| Öryggi við viðhald | 76 |
| Förgun | 77 |
| FLÝTIBYRJUN | 78 |
| LÆRÐU Á ÞURRKARANN ÞINN | 79 |
| Stýringar..... | 79 |
| Tákn á skjánum | 79 |
| Þvottaefnisskammtari | 79 |
| Þvottakerfi | 79 |
| Valkostir, stillingar og aðgerðir..... | 80 |

LESTU ÞETTA!



VIÐVÖRUN!

Lestu öryggisupplýsingarnar og leiðbeiningarnar í heild sinni áður en þú setur þetta tæki upp eða notar það.

Finna leiðbeiningarnar í heild sinni

Þú finnur ítarlegustu og nýlegustu notendaupplýsingarnar fyrir vörugerð þína á vefsíðunni www.elvita.se. Þetta innifelur upplýsingar um uppsetningu, notkun, viðhald og bilanagreiningu. Þú þarft gerðarkóðann til að leita að upplýsingunum.

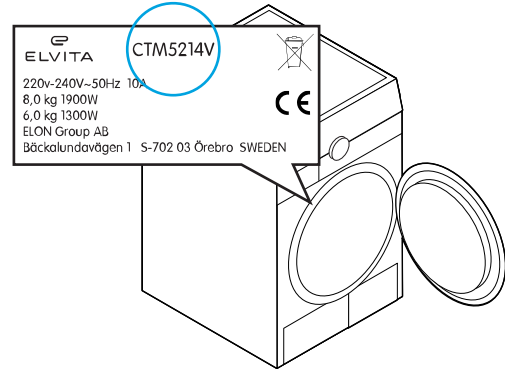
Finndu gerðarkóðann

Gerðarkóðinn er prentaður á merkimiða á tækinu.



ATHUGAÐU!

Þetta tæki og textamerking eru dæmi. Tækið þitt og texti gætu haft annað útlit og innihald.



ÖRYGGI

Lesið þessar leiðbeiningar vandlega áður tækið er sett upp og notað. Geymið leiðbeiningarnar nálægt tækinu til síðari nota. Margskonar ábyrgðir munu falla úr gildi ef þessum leiðbeiningum er ekki fylgt.

Viðvaranir

**VIÐVÖRUN!**

Notaðar þegar hættu er á líkamstjóni.

**VARÚÐ!**

Notaðar þegar hættu er á því að varan verði fyrir tjóni.

**ATHUGAÐU!**

Almennar upplýsingar sem þú ættir að vita um.



Hjálpleg ráð sem þér kunna að þykja gagnleg.

Ætluð notkun

Tækið er einungis ætlað fyrir:

- Notkun innandyra á heimili eða heimilisumhverfi eins og:
 - eldhúsum starfsfólks í verslunum, á skrifstofum og öðrum starfsumhverfum;
 - fjölskylduhúsnæði;
 - af viðskiptavinum á hótelum, mótelum og öðrum íbúðaumhverfum;
 - gistiheimilisumhverfum.
- Þvottur á fötum og textílefnum sem þola þvott í vél með þvottaefnislausn.
- Þvottur með notkun lágfreyðandi þvottaefna og umhirðuvara sem fást í verslunum og eru viðeigandi fyrir notkun í þvottavél eða þvottavél og þurrkara sem sett er í að framan.

Tækið er ekki ætlað til að vera innbyggt í skáp.

Öryggi fyrir börn og fólk með fötlun

**VIÐVÖRUN!**

Látið eftirfarandi hópa aðeins nota tækið undir umsjón eða ef þeim hafa verið veittar leiðbeiningar um örugga notkun þess. Þau verða að skilja hættunna sem eru til staðar.

- Börn. (Börn yngri en 8 átta ára verða að vera undir stöðugu eftirliti.)
- Fólk með minnkaða líkamlega, skynjunarlega eða andlega getu.
- Fólk sem skortir reynslu og þekkingu.

**VIÐVÖRUN!**

- Leyfið börnum ekki að leika sér með tækið.
- Leyfið börnum ekki að þrifa tækið án eftirlits.

**VIÐVÖRUN!**

Hættu er á að dýr eða börn klifri inn í tækið. Skoðið innan í tækið fyrir hverja notkun.

**VIÐVÖRUN!**

Glerhurðin gæti orðið mjög heit við notkun. Haldið börnum og gæludýrum fjarri tækinu meðan það er í notkun.

Almennt öryggi



VIÐVÖRUN!

- Þvoið ekki né þurrkið hluti sem hafa verið hreinsaðir með, þvegnir í, gegnbleyttir eða borið lauslega á með eldfimum eða sprengifimum efnum, eins og bóni, olíu, málningu, bensíni, fituleysum, leysiefnum fyrir þurrhreinsun, steinolíu o.s.frv. Það gæti leitt til eldsvoða eða sprengingar.
- Skolið allt slíkt tau vandlega í höndum áður en það eru þvegið.



VIÐVÖRUN!

Hætta á rafstuði!

- Ef rafmagnssnúran er skemmd verður henni að vera skipt út af framleiðandanum, þjónustuaðila hans eða sambærilega hæfum einstaklingum til að forðast hættu.
- Ef vélin er skemmd má ekki nota hana nema gert sé við hana af framleiðandanum, þjónustuaðila hans eða sambærilega hæfum aðilum.
- Áður en hreinsun eða viðhald af öllu tagi er framkvæmt á tækinu skal taka það úr sambandi frá rafmagni.
- Notið ekki innstungu ef uppgefinn straumstyrkur hennar er lægri en tækisins.
- Togið aldrei rafmagnssnúruna úr innstungunni með blautum höndum.



VARÚÐ!

- Klifrið ekki upp á né sitjið ofan á tækinu.
- Styðjið ykkur ekki við hurð tækisins.
- Lokið hurðinni ekki með óhöflega miklu afli. Ef erfitt reynist að loka hurðinni skal athuga hvort eitthvert tau sé fyrir.
- Þvoið ekki mottur í tækinu.



VARÚÐ!

Þegar tækið er fært:

- Hæfur aðili verður að sjá um að setja flutningsboltana aftur í.
- Tæma verður allt vatn úr vélinni.
- Meðhöndlið tækið með gát. Haldið aldrei í útstæða hluta vélarinnar þegar verið er að lyfta.
- Notið ekki hurð tækisins til að lyfta því við flutning.
- Þetta tæki er þungt. Flytjið með gát.

Öryggi við uppsetningu



VIÐVÖRUN!

Athugið hvort einhverjar skemmdir séu sjáanlegar á tækinu áður en það er sett upp. Setjið ekki upp né notið skemmt tæki.



VIÐVÖRUN!

Setjið vélinu ekki upp

- Í baðherbergjum í kringumstæðum þar sem hættu er á beinni snertingu við vatn, til dæmis, vatnsbunu úr sturtu, vatni úr baðkari, eða í herbergi þar sem er mikil bleyta eða hátt rakastig;
- í herbergi með sprengifimum eða ætandi lofttegundum; eða
- fyrir aftan læsanlega hurð, rennihurð eða hurð á hjörum gagnstætt tækinu.



VIÐVÖRUN!

Loftræsting þarf að vera nægileg til að hindra bakflæði lofttegunda inn í herbergið frá tækjum sem brenna önnur eldsneyti, þ.m.t. opnum eldum.

**VIÐVÖRUN!**

- Fjarlægjið allt umbúðafni og flutningsbolta áður en tækið er notað. Annars gætu orðið alvarlegar skemmdir á því.
- Haldið öllu umbúðafni vel fjarri börnum. Það er hættu á köfnun!

**VIÐVÖRUN!**

- Tryggið að tækið sé tengt við vatn og rafveitu af aðila með viðeigandi hæfni samkvæmt leiðbeiningum framleiðanda og öryggisreglum sem gilda á staðnum.
- Ef rafmagnssnúran er skemmd verður henni að vera skipt út af framleiðandanum, þjónustuaðila hans eða sambærilega hæfum einstaklingum til að forðast hættu.
- Verið viss um að rafmagnstengillinn sé tengdur við jarðtengda þriggja skauta innstungu. Athugaðu vandlega að innstungan þín sé jarðtengd á réttan og áreiðanlegan hátt.
- Gangið úr skugga um að rafmagnstengill vélarinnar sé aðgengilegur eftir uppsetningu og að vélin standi ekki ofan á rafmagnssnúrunni.
- Þegar vélin er hallastíllt verða lásrænar á öllum fjórum fótum að vera þétt skrúfaðar að hýsingunni.
- Ef það á við skal tryggja að loftopin á grunni tækisins séu ekki hindruð af, til dæmis, teppi.
- Notið nýju slöngusetið sem fylgja tækinu. Endurnotið ekki gömul sett.

**VARÚÐ!**

- Innrennisslangan verður að vera tengd við kaldvatnsinntakið.
- Ekki brjóta, kremja, breyta eða skemma vatnsinntaksslönguna.
- Brjótið ekki né teygjið frárennisslönguna.
- Staðsetjið frárennisslönguna rétt því það getur leitt til vatnsleka ef hún er skemmd.
- Ef frárennisslangan er of löng skal ekki þvinga hana inn í vélna þar sem það mun valda óvenjulegum hljóðum.

**VARÚÐ!**

- Áður en tækið er notað í fyrsta sinn verður að kvarða það.
- Áður en tau er þvegið í fyrsta sinn verður að keyra þvottakerfi þar til því lýkur án nokkurra hluta í tromlunni.

Öryggi við notkun

**VIÐVÖRUN!**

Gangið úr skugga um að tækið sé rétt uppsett áður en það er notað.

**VIÐVÖRUN!**

- Eldfim, sprengifim eða eitruð leysiefni eru bönnuð. Ekki má nota bensín og alkóhól sem þvottaefni. Notið aðeins þvottaefni sem hentar fyrir vélarþvott.

**VIÐVÖRUN!**

- Takið tækið alltaf úr sambandi og skrífið fyrir vatnsinntakið eftir notkun.

**VIÐVÖRUN!**

- Farið gætilega til að forðast að brennast þegar heitt vatn er að tæmast úr tækinu.
- Ef tækið er með aðgerð til að gera hlé á þvottakerfi og bæta við fleiri fótum skal ekki nota þessa aðgerð þegar vatnsborðið nær upp fyrir brún tromlunnar að innan eða hitastigið er hátt stillt.
- Þegar tromlan er enn að snúast og það er mikið magn af vatni í henni þá er ekki öruggt að opna hurðina og ekki hægt að opna hana með afli.
- Fyllið aldrei á með vatni handvirkt meðan á þvotti stendur.

**VIÐVÖRUN!**

Hætta á sprengingu og eldsvoða!

- Fjarlægjið alla hluti úr vösum, sérstaklega kveikjara, eldspýtur og svipaða hluti áður en fót eru þurrkuð.
- Ef ekki verður hjá því komist að þurrka hluti sem hafa óhreinast með efnum eins og matreiðsluolíu, hársnyrtivörum, asetoni, alkóhóli, jarðolíu, steinolíu, blettahreinsum, terpentínu, bóni og bönleysum, þá verður að þvo slíka hluti í heitu vatni með aukamagni af þvottaefni áður en þurrkað er. Þetta minnkar hættuna en kemur ekki í veg fyrir hana.
- Handþvegnir hlutir verða að vera vandlega skolaðir með vatni áður en þeir eru þurrkaðir.
- Notið ekki tækið ef það hefur verið hreinsað með iðefnum fyrir iðnað.
- Ekki skal stöðva þurrkunarlotuna áður en henni er lokið nema allir hlutir séu teknir fljótt út og breitt úr þeim þannig að hitinn dreifist.
- Gangið úr skugga um að ekkert hindri opnun tækisins.
- Minnkið ekki bilið frá gólfi með djúpum loðnum teppum eða viðarræmum. Það gæti valdið því að hiti safnaðist upp sem gæti haft áhrif á virkni tækisins.
- Ekki má leyfa ló að safnast upp í kringum tækið.

**VIÐVÖRUN!**

Hætta á sprengingu og eldsvoða! Þurrkið ekki eftirfarandi í tækinu.

- Óþvegna hluti.
- Hluti eins og
 - frauðgúmmí (latexkvoða),
 - baðhettur
 - vatnspétt textílefni,
 - gúmmístyrkta hluti og
 - fatnað eða kotta með frauðgúmmípúðum.
- Hluti sem hafa verið þrífir með, þvegnir í, gegnbleyttir með eða lauslega borið á með eldfimum eða sprengifimum efnum eins og
 - bóni,
 - olíu,
 - málningu,
 - bensíni,
 - fituhreinsi,
 - leysiefnum fyrir þurrhreinsun,
 - steinolíu.

**VARÚÐ!**

- Þegar þvottakerfi er lokið:
 - bíðið í tvær mínútur áður en hurðin er opnuð, og
 - athugið hvort að vatnið hafi verið tæmt innan úr tromlunni áður en hurðin er opnuð. Opnið ekki hurðina ef eitthvað vatn er sjáanlegt.

**VARÚÐ!**

- Hvassir og harðir hlutir, eins og mynt, nælur, naglar, skrúfur eða steinar o.s.frv. geta valdið alvarlegum skemmdum á vélinni. Gangið úr skugga um að allir vasar hafi verið tæmdir.

Öryggi við viðhald

**VIÐVÖRUN!**

- Aðeins viðurkenndir tæknimenn mega framkvæma viðgerðir.
- Ef upp koma vandamál varðandi tækið sem bilanagreiningarupplýsingarnar í heildarhandbókinni geta ekki aðstoðað þig við að leysa, þá skaltu slökkva á tækinu, taka það úr sambandi frá rafmagni, slökkva á vatnsinntakinu og hafa samband við aðstoð og þjónustu okkar.

**VIÐVÖRUN!**

Slökkvið á rafmagni og vatnsinntaki tækisins áður en hvers kyns viðhald er framkvæmt.

**VIÐVÖRUN!**

Við notkun getur verið heitt vatn í frárennslisdælunni. Fjarlægjið aldrei dæluhlífina meðan þvottalota stendur yfir, bíðið alltaf þar til tækið hefur lokið lotunni og allt vatn hefur verið tæmt.

**VARÚÐ!**

- Við hreinsun þessa tækis skal ekki nota leysiefni, alkóhól, vörur sem innihalda maurusýru, svarfandi hreinsiefni, glerhreinsa eða alhliða hreinsiefni það gæti skemmt plastyfirborð og önnur yfirborð.
- Verið með hanska þegar tækið er þrifið.
- Hætta er á vatnsleka ef dæluhlífin er ekki sett aftur á réttan hátt eftir hreinsun frárennslisdælusíunnar.

Förgun



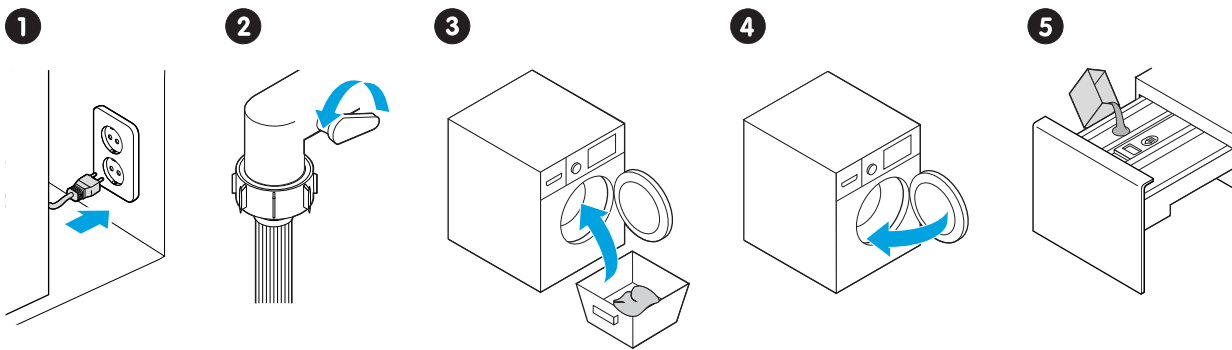
Fargið umbúðum á umhverfisvænan hátt. Með því setja umbúðir í endurvinnslu, samkvæmt reglum lands og staðar er hægt að draga úr notkun hráefna og magni úrgangs í landfyllingum.

Þetta tæki er merkt í samræmi við Evróputilskipun 2012/19/ESB, rafmagns- og rafeindatækjaúrgangur (WEEE). Táknið á tækinu eða á umbúðum þess gefur til kynna að ekki skuli meðhöndla það sem heimilisúrgang. Í staðinn skal afhenda það til viðeigandi söfnunarstöðvar fyrir endurvinnslu rafmagns- og rafeindatækjaúrgangs.

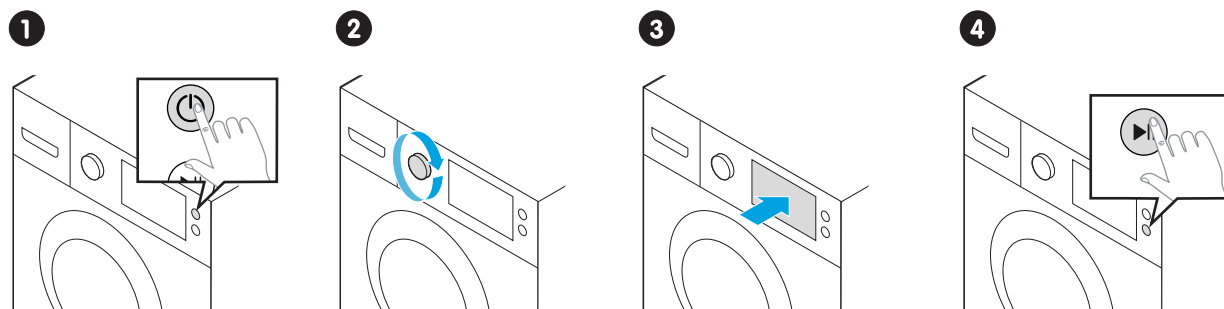
Með því að tryggja rétta förgun tækisins hjálpar þú við að koma í veg fyrir mögulega neikvæðar afleiðingar fyrir umhverfið og heilsu manna, sem að öðrum kosti gætu orðið vegna óviðeigandi meðhöndlunar úrgangs vegna þessa tækis. Til að fá nánari upplýsingar um endurvinnslu þessa tækis skaltu hafa samband við viðkomandi bæjaryfirvöld sem sjá um sorphirðu, heimilissorpþjónustu eða verslunina þar sem þú keyptir tækið.

FLÝTIBYRJUN

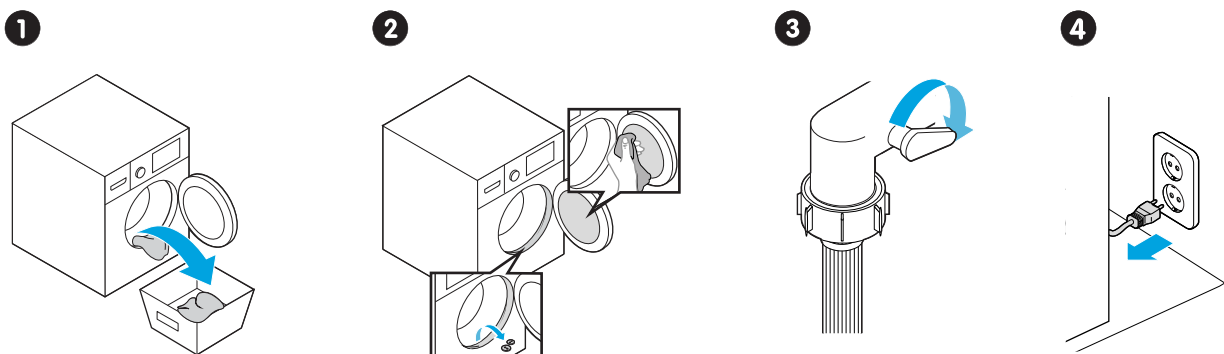
Fyrir þvott



Þvottur

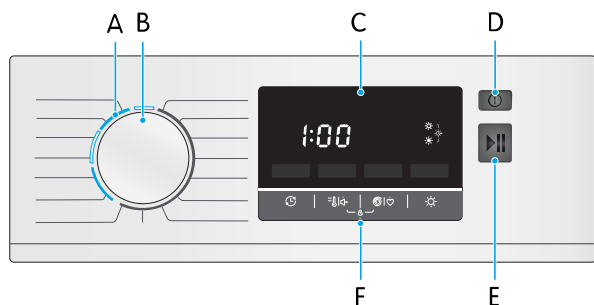


Eftir þvott



LÆRÐU Á ÞURRKARANN ÞINN

Stýringar



- A. Þvotta- og þurrkunarkerfi
- B. Kerfisval
- C. Skjár
- D. ON/OFF
- E. Start/Hlé
- F. Valkostir, stillingar og aðgerðir

Tákn á skjánum



Hurðarlæsing



Barnalæsing



Þurrkstig: Venjulegt þurrkstig

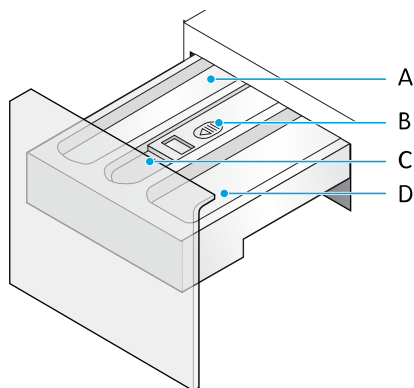


Þurrkstig: Skraufpurrt



Þurrkstig: Tímastillt þurrkun

Þvottaefnisskammtari



- A. Aðalþvottaefni
- B. Þvottaefnislás (ýttu niður til að fjarlægja skammtara)
- C. Mýkingarefni
- D. Þvottaefni fyrir forþvott



VIÐVÖRUN!

Eldfim og sprengifim eða eitruð leysiefni eru bönnuð. Ekki má nota bensín og alkóhól sem þvottaefni. Notið aðeins þvottaefni sem hentar fyrir vélarþvott.

Þvottakerfi

| Þvottakerfi | Lýsing | Hám. hleðsla Þvottur | Hám. hleðsla Þurrkun |
|-----------------------|---|----------------------|----------------------|
| 1 h Þvottur & þurrkað | Fyrir lítið magn af fötum úr gerviefnum. | 1,0 kg | 1,0 kg |
| 20 °C | 20 °C sem sjálfgefið hitastig. Einnig er hægt að velja kalt vatn. | 4,0 kg | - |

| Þvottakerfi | Lýsing | Hám. hleðsla þvottur | Hám. hleðsla þurrkun |
|--------------------|---|----------------------|----------------------|
| Baðmull | Fyrir slitþolin, hitaþolin textílefni gerðum úr baðmull eða líni. | 8,0 kg | 6,0 kg |
| Bara þurrkað | Þurrka tau. Velja milli mismunandi þurrkstiga. | - | 6,0 kg |
| ECO 40-60 | Ráðlagt fyrir venjulega óhreint baðmullartau. Þetta kerfi getur þvegið tau sem gefið er upp sem þvotthelt við 40 °C eða 60 °C í einu lagi í sömu lotunni. | 8,0 kg | - |
| Öflugt | Þvottatíminn er lengdur fyrir árangursríkari þvott. | 8,0 kg | - |
| Gallaefni | Sérstaklega fyrir gallaefni. | 8,0 kg | - |
| Blandað efni | Fyrir blandaða hleðslu sem samanstendur af textílefum úr baðmull og gerviefnum. | 8,0 kg | 6,0 kg |
| Stutt 15 mín | Ofurhratt kerfi. Hentar fyrir lítið magn af lítið óhreinu tavi. | 2,0 kg | 1,0 kg |
| Skolkerfi | Auka skolun og vinding. | 8,0 kg | - |
| Vinding | Auka vinding með veljanlegum vinduhraða. | 8,0 kg | - |
| Íþróttafatnaður | Til að þvo sportfatnað. | 4,0 kg | - |
| Gerviefni | Fyrir þvott á hlutum úr gerviefnum, eins og skyrtum, kápum og blönduðum efnum. Þegar þrjónaföt eru þvegin ætti að minnka magn þvottaefnis til að forðast óhóflega froðumyndun. | 4,0 kg | 4,0 kg |
| Þvottur og þurrkun | Ráðlagt fyrir venjulega óhreint baðmullartau. Skilar þvottinum nægilega þurrum til að setja hann strax í fataskáp. | - | 6,0 kg |
| Ull | Ull sem má handþvo eða þvo í vél eða textílefni sem innihalda mikla ull. Mild þvottakerfi sem hönnuð eru til að hindra að tavið hlaupi. Inniheldur lengri lotur án tromlusúnings. | 2,0 kg | - |

Valkostir, stillingar og aðgerðir



Barnalæsing

Kemur í veg fyrir að vélin sé notuð fyrir slysi.



Seinkun

Seinkar byrjun þvottakerfisins um ákveðið langan tíma. Hámarks seinkunartími er 24 klukkustundir.



Þurrkstig

Stillir þurrkstig. Tímalengdin sem þarf til að ná tilgreindu þurrkstigi er misjafnt milli kerfa.



Endurhlaða

Tavi bætt við meðan þvottur er í gangi.



Snúningshraði þeytivindu, Mitt þvottakerfi

- Snúningshraði þeytivindu: Stillir vinduhraðann.
- Mitt þvottakerfi: Vistar uppáhalds samsetningu þína af þvottakerfum og valkostum.



Hitastig, Hljóð af/á

- Hitastig: Stillir hitastigið.
- Hljóð af/á: Slekkur og kveikir á hljóðmerkinu.

The information may be subject to changes. Inadvertent errors in information may occur. / Die Informationen können Änderungen unterliegen. Es kann zu unbeabsichtigten Fehlern in den Informationen kommen. / Informationen kan komma att ändras. Oavsiktliga fel i informationen kan förekomma. / Informasjonen kan endres. Det kan forekomme utilsiktede feil i informasjonen. / Oplysningerne er med forbehold for ændringer. Der kan forekomme utilsigtede fejl i oplysningerne. / Tietoihin voi tulla muutoksia. Tiedoissa voi olla tahattomia virheitä. / Upplýsingarnar gætu verið háðar breytingum. Óviljandi villur gætu hafa slæðst inn í upplýsingarnar.

ELVITA



elON GROUP

Elvita products are distributed and marketed by Elon Group AB.
Elon Group AB Bäcklundavägen 1 | 702 03 Örebro Sweden
ELON GROUP | +46(0)10-220 40 00 | ELONGROUP.SE
Support and service: ELVITA.SE